



# MODEL UEER1

Standard Eye

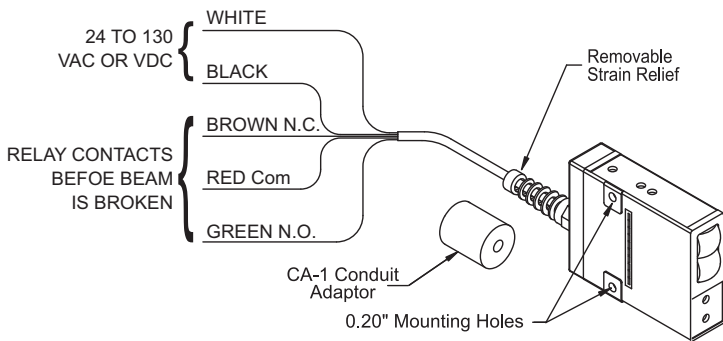
# UEER2

With Auto Disable

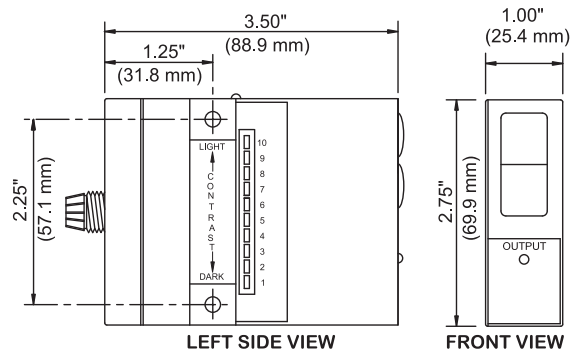
## SPECIFICATIONS

- Power Input:** From 24 to 130 VAC or VDC
- Power Consumption:** 2 VA
- Temperature Range:** 14°F to 122°F (-10°C to 50°C)
- Output Relay:** (SPDT) 5 Amps at 120 VAC or VDC
- Relay Operation:** Normally de-energized before input occurs
- Response Time:** 10 milliseconds
- Disable Timer:** Adjustable from 10 to 45 seconds
- Light Source:** Infrared (invisible)
- LED Light Source Wavelength:** 940nm
- Output Indicator:** (Red LED) Follows status of output relay
- Cabling:** 6 Foot standard, 5-conductor, 22 AWG, 7/30 AWG

### Connections



### Dimensions



Included with Each Sensor

## ACCESSORIES

|              |             |            |  |
|--------------|-------------|------------|--|
|              |             |            | <b>UMB-1</b> "L" Mounting Bracket with hardware  |
| <b>UMB-1</b> | <b>CA-1</b> | <b>98S</b> | <b>98S</b> Clear Reflector with adhesive back<br>3.2" x 1.45" (81.3 x 36.8mm)                |
|              |             |            | <b>CA-1</b> 1/2" Conduit Adapter - optional screw on adapter replaces flexible strain relief |

Optional Accessories

|              |              |             |  |
|--------------|--------------|-------------|--|
|              |              |             | <b>USB-1</b> Adjustable sub-bracket mounting assembly used with UMB-1. Recommended for vertical bulkhead mounting. |
| <b>USB-1</b> | <b>RB-1</b>  | <b>RB-2</b> | <b>RB-1</b> Reflector Mounting kit includes:<br>98S Reflector and RB-2 Bracket                                     |
|              |              |             | <b>RB-2</b> 98S Reflector Mounting Bracket   |
|              |              |             | <b>78-P</b> Screw mount Reflector<br>4.4" x 1.9" (111.8mm x 48.3mm)  |
| <b>78-P</b>  | <b>2000X</b> |             | <b>2000x</b> Square Reflector Tape<br>3" x 3" (76mm x 76mm)  |



P.O. BOX 25135, TAMPA, FL 33622-5135  
813-886-4000 / 800-237-0946  
tco.com / info@tco.com

070-0043 Rev 2