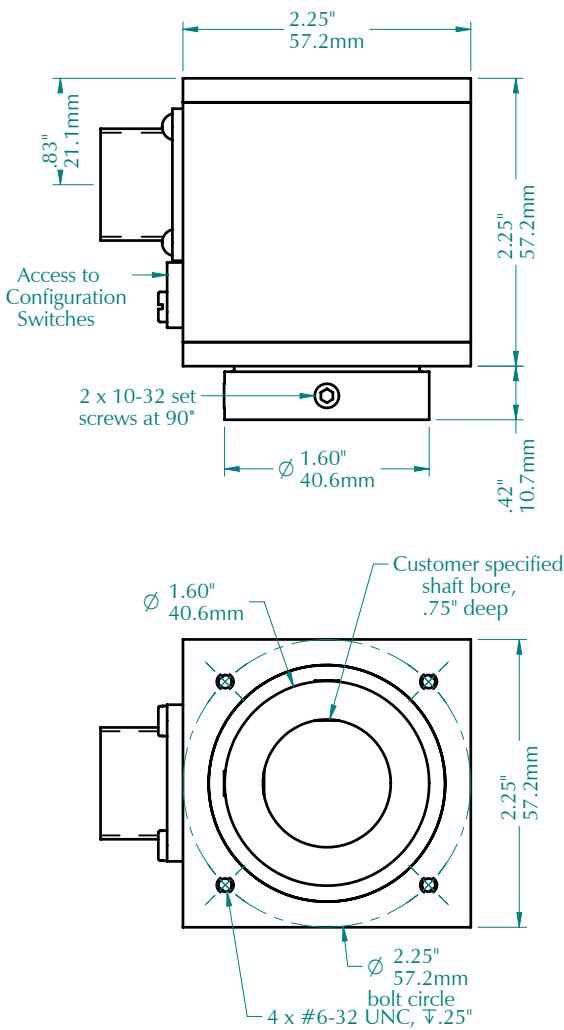


FEATURES

- DIP switch selectable counts per revolution
- 1/8 through 8 counts per revolution, every 1/8th value
- Up to 1" or 25mm hollow shaft diameter
- Anti-jitter feature
- CE and RoHS compliant available
- ESD and short circuit protection
- 5 vdc and 8 to 30 vdc supply voltages
- Non-programmable models available

DIMENSIONS

(shown with 1" diameter hollow shaft)

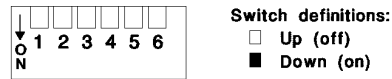


SPECIFICATIONS

Electrical

Supply Voltages: (specify when ordering)
 5 ± 5% VDC or 8-30 VDC
Supply Current: 50 mA max (no load)
Operating Temperature: -25° to +85° C
Output Circuit: (specify when ordering)
 Output voltage level is approximately the same as the input voltage level.
Single Ended:
 — NPN open collector (30vdc/50ma max)
 — Push/Pull (50ma max source/sink)
Differential Line Driver:
 — 7272 line driver (output same as supply volts)
 — RS422 line driver (regulated 5vdc output)
Maximum operating speed: 2,500 rpm

Configuration Switches



Counts per Revolution Selection

1	2	3	4	5	6	1	2	3	4	5	6	1	2	3	4	5	6
0.125	□	□	□	□	□	2.750	□	□	□	□	□	5.375	□	□	□	□	□
0.250	□	□	□	□	□	2.875	□	□	□	□	□	5.500	□	□	□	□	□
0.375	□	□	□	□	□	3.000	□	□	□	□	□	5.625	□	□	□	□	□
0.500	□	□	□	□	□	3.125	□	□	□	□	□	5.750	□	□	□	□	□
0.625	□	□	□	□	□	3.250	□	□	□	□	□	5.875	□	□	□	□	□
0.750	□	□	□	□	□	3.375	□	□	□	□	□	6.000	□	□	□	□	□
0.875	□	□	□	□	□	3.500	□	□	□	□	□	6.125	□	□	□	□	□
1.000	□	□	□	□	□	3.625	□	□	□	□	□	6.250	□	□	□	□	□
1.125	□	□	□	□	□	3.750	□	□	□	□	□	6.375	□	□	□	□	□
1.250	□	□	□	□	□	3.875	□	□	□	□	□	6.500	□	□	□	□	□
1.375	□	□	□	□	□	4.000	□	□	□	□	□	6.625	□	□	□	□	□
1.500	□	□	□	□	□	4.125	□	□	□	□	□	6.750	□	□	□	□	□
1.625	□	□	□	□	□	4.250	□	□	□	□	□	6.875	□	□	□	□	□
1.750	□	□	□	□	□	4.375	□	□	□	□	□	7.000	□	□	□	□	□
1.875	□	□	□	□	□	4.500	□	□	□	□	□	7.125	□	□	□	□	□
2.000	□	□	□	□	□	4.625	□	□	□	□	□	7.250	□	□	□	□	□
2.125	□	□	□	□	□	4.750	□	□	□	□	□	7.375	□	□	□	□	□
2.250	□	□	□	□	□	4.875	□	□	□	□	□	7.500	□	□	□	□	□
2.375	□	□	□	□	□	5.000	□	□	□	□	□	7.625	□	□	□	□	□
2.500	□	□	□	□	□	5.125	□	□	□	□	□	7.750	□	□	□	□	□
2.625	□	□	□	□	□	5.250	□	□	□	□	□	7.875	□	□	□	□	□
												8.000	□	□	□	□	□

Mechanical

Shaft Diameters: (specify when ordering)
 .25", .375", .5", .625", .75", .875", 1", 10mm, 12mm, 19mm 20mm, 25mm
Inquire for others
Shaft Loading: Radial: 25 lbs. / 11.3 kg max.
 Axial: 10 lbs. / 4.5 kg max.
A flexible mounting bracket is recommended.
Bearing Life: 36 x 1,000,000/rpm = hours
Materials: Case: Aluminum, anodized
 Shaft: Aluminum
 Switch cover: ABS plastic
Weight: 11 oz. (312 grams)

Outputs

Counts per Revolution: Selectable by setting the configuration switches. Output A is "low" when power is initially applied.
Output Waveform: 50/50 squarewave
 — Pulse symmetry: 180°±30%
 — Pulse interval jitter: 30% max
Anti-jitter: Increases pulse hysteresis to 1/2 of a pulse width eliminating the dither caused by excess mechanical vibration and the resulting false output pulses.

Electrical Connections

Single Ended Outputs:

6-pin	4-pin	Function	Wire Color
A	3	Common	Black
B	1	Supply Voltage	Red
D	4	Output A	White
C,E,F	2	no connection	--

Differential Line Driver Outputs:

6-pin	4-pin	Function	Wire Color
A	3	Common	Black
B	1	Supply Voltage	Red
C	4	Output +A	White
D	2	Output -A	Green
E,F	--	no connection	--

4-pin 12mm is Turck FS4.4/14.5 or equivalent
 6-pin MS is C-5015 style 97-3102A-14S-6P or similar

MODEL NUMBER

HRS	P	.125AJ			
Model Number	P = Programmable model	Program: name of factory configured program.	Supply Voltage: 5 = 5vdc, 8-30 = 8 to 30 vdc	Output Circuit: leave blank for push/pull C = NPN open collector, DL = RS422 line driver, DH = 7272 line driver	Modification Number: 6-pin MS is standard M131 = 4-pin 12mm connector Call or see our website for other modifications.
Shaft Diameter: .25 = .25", .375 = .375", .5 = .5", .625 = .625", .75 = .75", .875 = .875", 1 = 1.0", M10 = 10mm, M12 = 12mm, M19 = 19mm, M20 = 20mm, M25 = 25mm (inquire for others)					Accessories: leave blank for no accessories. Call or see our website for more information.

Example: HRS1-P.125AJ/8-30 - 1" hollow shaft, programmable model factory configured with the .125AJ program, 8-30 vdc, push/pull output, 6-pin MS connector



PO Box 25135 Tampa FL 33622-5135, USA
 813-886-4000 800-237-0946
 tco.com • photocraftencoders.com