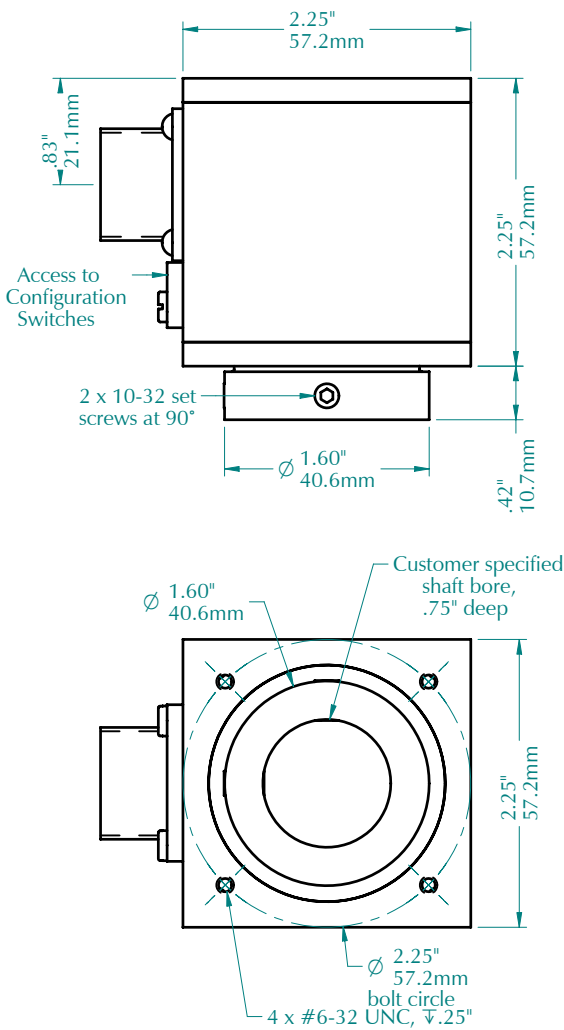


FEATURES

- DIP switch selectable counts per revolution
- 4 through 256 counts per revolution, every 4th value
- Up to 1" or 25mm hollow shaft diameter
- Industry standard cube style housing
- CE and RoHS compliant available
- ESD and short circuit protection
- 5 vdc and 8 to 30 vdc supply voltages
- Non-programmable models available

DIMENSIONS

(shown with 1" diameter hollow shaft)



SPECIFICATIONS

Electrical

Supply Voltages: (specify when ordering)

5 ± 5% VDC or 8-30 VDC

Supply Current: 50 mA max (no load)

Operating Temperature: 0° to +70° C

Output Circuit: (specify when ordering)

Output voltage level is approximately the same as the input voltage level.

Single Ended:

— NPN open collector (30vdc/50ma max)

— Push/Pull (50ma max source/sink)

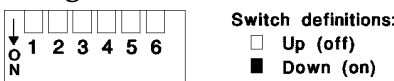
Differential Line Driver:

— 7272 line driver (output same as supply volts)

— RS422 line driver (regulated 5vdc output)

Maximum operating speed: 2,500 rpm

Configuration Switches



Pulses per Revolution Selection

1	2	3	4	5	6	1	2	3	4	5	6	1	2	3	4	5	6
4	8	12	16	20	24	88	92	96	100	104	108	176	180	184	188	192	196
32	36	40	44	48	52	116	120	124	128	132	136	200	204	208	212	216	220
56	60	64	68	72	76	140	144	148	152	156	160	224	228	232	236	240	244
80	84					164	168					248	252				
												256					

Mechanical

Shaft Diameters: (specify when ordering)

.25", .375", .5", .625", .75", .875", 1"

10mm, 12mm, 19mm 20mm, 25mm

Inquire for others

Shaft Loading: Radial: 25 lbs. / 11.3 kg max.

Axial: 10 lbs. / 4.5 kg max.

A flexible mounting bracket is recommended.

Bearing Life: 36 x 1,000,000/rpm = hours

Materials: Case: Aluminum, anodized

Shaft: Aluminum

Switch cover: ABS plastic

Weight: 11 oz. (312 grams)

Outputs

Counts per Revolution: Selectable by setting

the configuration switches. Output A is

"low" when power is initially applied.

Output Waveform: 50/50 squarewave

— Pulse symmetry: 180°±30%

— Pulse interval jitter: 30% max

Electrical Connections

Single Ended Outputs:

6-pin	4-pin	Function	Wire Color
A	3	Common	Black
B	1	Supply Voltage	Red
D	4	Output A	White
C,E,F	2	no connection	--

Differential Line Driver Outputs:

6-pin	4-pin	Function	Wire Color
A	3	Common	Black
B	1	Supply Voltage	Red
C	4	Output +A	White
D	2	Output -A	Green
E,F	--	no connection	--

4-pin 12mm is Turck FS4.4/14.5 or equivalent

6-pin MS is C-5015 style 97-3102A-14S-6P or similar

MODEL NUMBER

HRS	P	256			
Model Number	P = Programmable model	Program: name of factory configured program.			
Shaft Diameter: .25 = .25", .375 = .375", .5 = .5", .625 = .625", .75 = .75", .875 = .875", 1 = 1.0", M10 = 10mm, M12 = 12mm, M19 = 19mm, M20 = 20mm, M25 = 25mm (inquire for others)			Supply Voltage: 5 = 5vdc, 8-30 = 8 to 30 vdc	Output Circuit: leave blank for push/pull C = NPN open collector, DL = RS422 line driver, DH = 7272 line driver	Modification Number: 6-pin MS is standard M131 = 4-pin 12mm connector Call or see our website for other modifications.
					Accessories: leave blank for no accessories. Call or see our website for more information.

Example: HRS1-P256/8-30 - 1" hollow shaft, programmable model factory configured with the 256 program, 8-30 vdc, push/pull output, 6-pin MS connector



PO Box 25135 Tampa FL 33622-5135, USA
813-886-4000 800-237-0946
tco.com • photocraftencoders.com