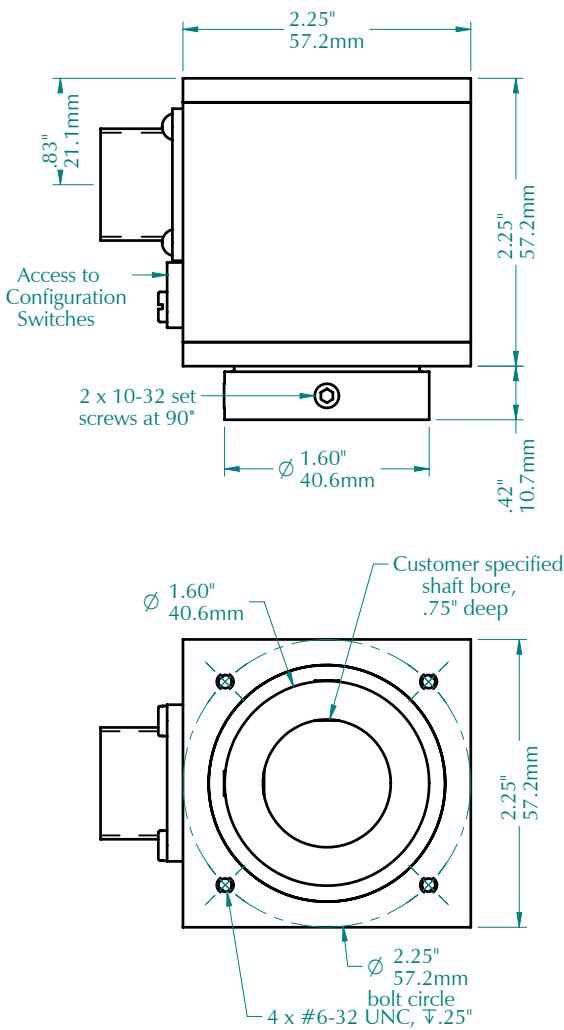


FEATURES

- DIP switch selectable counts per revolution
- 1 through 64 counts per revolution
- Up to 1" or 25mm hollow shaft diameter
- Anti-jitter feature
- CE and RoHS compliant available
- ESD and short circuit protection
- 5 vdc and 8 to 30 vdc supply voltages
- Non-programmable models available

DIMENSIONS

(shown with 1" diameter hollow shaft)



SPECIFICATIONS

Electrical

Supply Voltages: (specify when ordering)
5 ± 5% VDC or 8-30 VDC

Supply Current: 50 mA max (no load)

Operating Temperature: -25° to +85° C

Output Circuit: (specify when ordering)

Output voltage level is approximately the same as the input voltage level.

Single Ended:

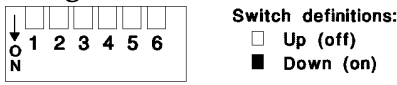
- NPN open collector (30vdc/50ma max)
- Push/Pull (50ma max source/sink)

Differential Line Driver:

- 7272 line driver (output same as supply volts)
- RS422 line driver (regulated 5vdc output)

Maximum operating speed: 2,500 rpm

Configuration Switches



Counts per Revolution Selection

1	2	3	4	5	6	1	2	3	4	5	6	1	2	3	4	5	6
1	□	□	□	□	□	22	□	□	□	□	□	43	□	□	□	□	
2	□	□	□	□	□	23	□	□	□	□	□	44	□	□	□	□	
3	□	□	□	□	□	24	□	□	□	□	□	45	□	□	□	□	
4	□	□	□	□	□	25	□	□	□	□	□	46	□	□	□	□	
5	□	□	□	□	□	26	□	□	□	□	□	47	□	□	□	□	
6	□	□	□	□	□	27	□	□	□	□	□	48	□	□	□	□	
7	□	□	□	□	□	28	□	□	□	□	□	49	□	□	□	□	
8	□	□	□	□	□	29	□	□	□	□	□	50	□	□	□	□	
9	□	□	□	□	□	30	□	□	□	□	□	51	□	□	□	□	
10	□	□	□	□	□	31	□	□	□	□	□	52	□	□	□	□	
11	□	□	□	□	□	32	□	□	□	□	□	53	□	□	□	□	
12	□	□	□	□	□	33	□	□	□	□	□	54	□	□	□	□	
13	□	□	□	□	□	34	□	□	□	□	□	55	□	□	□	□	
14	□	□	□	□	□	35	□	□	□	□	□	56	□	□	□	□	
15	□	□	□	□	□	36	□	□	□	□	□	57	□	□	□	□	
16	□	□	□	□	□	37	□	□	□	□	□	58	□	□	□	□	
17	□	□	□	□	□	38	□	□	□	□	□	59	□	□	□	□	
18	□	□	□	□	□	39	□	□	□	□	□	60	□	□	□	□	
19	□	□	□	□	□	40	□	□	□	□	□	61	□	□	□	□	
20	□	□	□	□	□	41	□	□	□	□	□	62	□	□	□	□	
21	□	□	□	□	□	42	□	□	□	□	□	63	□	□	□	□	
												64	□	□	□	□	

Mechanical

Shaft Diameters: (specify when ordering)
.25", .375", .5", .625", .75", .875", 1"
10mm, 12mm, 19mm 20mm, 25mm
Inquire for others

Shaft Loading: Radial: 25 lbs. / 11.3 kg max.
Axial: 10 lbs. / 4.5 kg max.

A flexible mounting bracket is recommended.

Bearing Life: 36 x 1,000,000/rpm = hours

Materials: Case: Aluminum, anodized
Shaft: Aluminum
Switch cover: ABS plastic

Weight: 11 oz. (312 grams)

Outputs

Counts per Revolution: Selectable by setting the configuration switches. Output A is "low" when power is initially applied.

Output Waveform: 50/50 squarewave

— Pulse symmetry: 180°±30%

— Pulse interval jitter: 30% max

Anti-jitter: Increases pulse hysteresis to 1/2 of a pulse width eliminating the dither caused by excess mechanical vibration and the resulting false output pulses.

Electrical Connections

Single Ended Outputs:

6-pin	4-pin	Function	Wire Color
A	3	Common	Black
B	1	Supply Voltage	Red
D	4	Output A	White
C,E,F	2	no connection	--

Differential Line Driver Outputs:

6-pin	4-pin	Function	Wire Color
A	3	Common	Black
B	1	Supply Voltage	Red
C	4	Output +A	White
D	2	Output -A	Green
E,F	--	no connection	--

4-pin 12mm is Turck FS4.4/14.5 or equivalent

6-pin MS is C-5015 style 97-3102A-14S-6P or similar

MODEL NUMBER

HRS	P	64AJ			
Model Number	P = Programmable model	Program: name of factory configured program.	Supply Voltage: 5 = 5vdc, 8-30 = 8 to 30 vdc	Output Circuit: leave blank for push/pull C = NPN open collector, DL = RS422 line driver, DH = 7272 line driver	Modification Number: 6-pin MS is standard M131 = 4-pin 12mm connector Call or see our website for other modifications.
Shaft Diameter: .25 = .25", .375 = .375", .5 = .5", .625 = .625", .75 = .75", .875 = .875", 1 = 1.0", M10 = 10mm, M12 = 12mm, M19 = 19mm, M20 = 20mm, M25 = 25mm (inquire for others)					Accessories: leave blank for no accessories. Call or see our website for more information.

Example: HRS1-P64AJ/8-30 - 1" hollow shaft, programmable model factory configured with the 64AJ program, 8-30 vdc, push/pull output, 6-pin MS connector



PO Box 25135 Tampa FL 33622-5135, USA
813-886-4000 800-237-0946
tco.com • photocraftencoders.com