

# HS20-P256AJ Series 20 Programmable Hollow Shaft Encoder

## DESCRIPTION

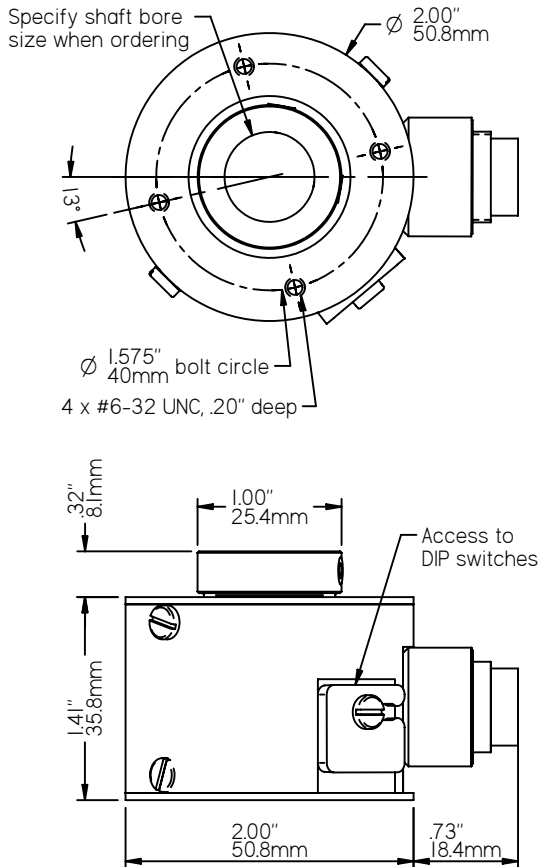
The HS20-P hollow shaft encoder fits onto an existing shaft and converts shaft rotation into square wave output pulses to provide an accurate and reliable means of digitizing position, rate, or length of travel. The number of pulses per each revolution of the shaft is determined by setting configuration switches. Flexible mounting brackets are available to secure the encoder without rigidly mounting it to the machine frame.

## FEATURES

- Up to 5/8" or 16mm shaft bore diameter
- Selectable Pulses/Revolution (4, 8, 12, ... 256ppr)
- ESD / Short Circuit / Reverse Voltage Protected
- Exclusive "Anti-Jitter" Circuit for Conveyor Applications

## DIMENSIONS

(shown with optional connector, 5/8" shaft bore)



## SPECIFICATIONS

### Mechanical

**Shaft Bore:** Any up to 5/8", 16mm diameter

**Shaft Loading:**

- Radial: 30 lbs. / 13.6 kg
- Axial: 20 lbs. / 9.1 kg

*A flexible mounting bracket is recommended.*

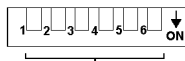
**Bearing Life:** 44 x 1,000,000/rpm = hours

**Materials:**

- Case: Aluminum, anodized
- Shaft: 303 Stainless steel
- Switch access door: plastic

**Weight:** 6.5 - 8.5 oz. (185 - 240 grams)

### Configuration Switches



**Switch definitions:**

- Up (off)
- Down (on)

Pulses per Revolution Selection																	
1	2	3	4	5	6	1	2	3	4	5	6	1	2	3	4	5	6
4	<input type="checkbox"/>	<input type="checkbox"/>	<input type="checkbox"/>	<input type="checkbox"/>	<input type="checkbox"/>	88	<input type="checkbox"/>	<input type="checkbox"/>	<input type="checkbox"/>	<input type="checkbox"/>	<input type="checkbox"/>	172	<input type="checkbox"/>	<input type="checkbox"/>	<input type="checkbox"/>	<input type="checkbox"/>	<input type="checkbox"/>
8	<input type="checkbox"/>	<input type="checkbox"/>	<input type="checkbox"/>	<input type="checkbox"/>	<input checked="" type="checkbox"/>	92	<input type="checkbox"/>	<input type="checkbox"/>	<input type="checkbox"/>	<input type="checkbox"/>	<input type="checkbox"/>	176	<input type="checkbox"/>	<input type="checkbox"/>	<input type="checkbox"/>	<input type="checkbox"/>	<input checked="" type="checkbox"/>
12	<input type="checkbox"/>	<input type="checkbox"/>	<input type="checkbox"/>	<input type="checkbox"/>	<input type="checkbox"/>	96	<input type="checkbox"/>	<input type="checkbox"/>	<input type="checkbox"/>	<input type="checkbox"/>	<input type="checkbox"/>	180	<input type="checkbox"/>	<input type="checkbox"/>	<input type="checkbox"/>	<input type="checkbox"/>	<input type="checkbox"/>
16	<input type="checkbox"/>	<input type="checkbox"/>	<input type="checkbox"/>	<input type="checkbox"/>	<input type="checkbox"/>	100	<input type="checkbox"/>	<input type="checkbox"/>	<input type="checkbox"/>	<input type="checkbox"/>	<input type="checkbox"/>	184	<input type="checkbox"/>	<input type="checkbox"/>	<input type="checkbox"/>	<input type="checkbox"/>	<input type="checkbox"/>
20	<input type="checkbox"/>	<input type="checkbox"/>	<input type="checkbox"/>	<input type="checkbox"/>	<input type="checkbox"/>	104	<input type="checkbox"/>	<input type="checkbox"/>	<input type="checkbox"/>	<input type="checkbox"/>	<input type="checkbox"/>	188	<input type="checkbox"/>	<input type="checkbox"/>	<input type="checkbox"/>	<input type="checkbox"/>	<input type="checkbox"/>
24	<input type="checkbox"/>	<input type="checkbox"/>	<input type="checkbox"/>	<input type="checkbox"/>	<input type="checkbox"/>	108	<input type="checkbox"/>	<input type="checkbox"/>	<input type="checkbox"/>	<input type="checkbox"/>	<input type="checkbox"/>	192	<input type="checkbox"/>	<input type="checkbox"/>	<input type="checkbox"/>	<input type="checkbox"/>	<input type="checkbox"/>
28	<input type="checkbox"/>	<input type="checkbox"/>	<input type="checkbox"/>	<input type="checkbox"/>	<input type="checkbox"/>	112	<input type="checkbox"/>	<input type="checkbox"/>	<input type="checkbox"/>	<input type="checkbox"/>	<input type="checkbox"/>	196	<input type="checkbox"/>	<input type="checkbox"/>	<input type="checkbox"/>	<input type="checkbox"/>	<input type="checkbox"/>
32	<input type="checkbox"/>	<input type="checkbox"/>	<input type="checkbox"/>	<input type="checkbox"/>	<input type="checkbox"/>	116	<input type="checkbox"/>	<input type="checkbox"/>	<input type="checkbox"/>	<input type="checkbox"/>	<input type="checkbox"/>	200	<input type="checkbox"/>	<input type="checkbox"/>	<input type="checkbox"/>	<input type="checkbox"/>	<input type="checkbox"/>
36	<input type="checkbox"/>	<input type="checkbox"/>	<input type="checkbox"/>	<input type="checkbox"/>	<input type="checkbox"/>	120	<input type="checkbox"/>	<input type="checkbox"/>	<input type="checkbox"/>	<input type="checkbox"/>	<input type="checkbox"/>	204	<input type="checkbox"/>	<input type="checkbox"/>	<input type="checkbox"/>	<input type="checkbox"/>	<input type="checkbox"/>
40	<input type="checkbox"/>	<input type="checkbox"/>	<input type="checkbox"/>	<input type="checkbox"/>	<input type="checkbox"/>	124	<input type="checkbox"/>	<input type="checkbox"/>	<input type="checkbox"/>	<input type="checkbox"/>	<input type="checkbox"/>	208	<input type="checkbox"/>	<input type="checkbox"/>	<input type="checkbox"/>	<input type="checkbox"/>	<input type="checkbox"/>
44	<input type="checkbox"/>	<input type="checkbox"/>	<input type="checkbox"/>	<input type="checkbox"/>	<input type="checkbox"/>	128	<input type="checkbox"/>	<input type="checkbox"/>	<input type="checkbox"/>	<input type="checkbox"/>	<input type="checkbox"/>	212	<input type="checkbox"/>	<input type="checkbox"/>	<input type="checkbox"/>	<input type="checkbox"/>	<input type="checkbox"/>
48	<input type="checkbox"/>	<input type="checkbox"/>	<input type="checkbox"/>	<input type="checkbox"/>	<input type="checkbox"/>	132	<input type="checkbox"/>	<input type="checkbox"/>	<input type="checkbox"/>	<input type="checkbox"/>	<input type="checkbox"/>	216	<input type="checkbox"/>	<input type="checkbox"/>	<input type="checkbox"/>	<input type="checkbox"/>	<input type="checkbox"/>
52	<input type="checkbox"/>	<input type="checkbox"/>	<input type="checkbox"/>	<input type="checkbox"/>	<input type="checkbox"/>	136	<input type="checkbox"/>	<input type="checkbox"/>	<input type="checkbox"/>	<input type="checkbox"/>	<input type="checkbox"/>	220	<input type="checkbox"/>	<input type="checkbox"/>	<input type="checkbox"/>	<input type="checkbox"/>	<input type="checkbox"/>
56	<input type="checkbox"/>	<input type="checkbox"/>	<input type="checkbox"/>	<input type="checkbox"/>	<input type="checkbox"/>	140	<input type="checkbox"/>	<input type="checkbox"/>	<input type="checkbox"/>	<input type="checkbox"/>	<input type="checkbox"/>	224	<input type="checkbox"/>	<input type="checkbox"/>	<input type="checkbox"/>	<input type="checkbox"/>	<input type="checkbox"/>
60	<input type="checkbox"/>	<input type="checkbox"/>	<input type="checkbox"/>	<input type="checkbox"/>	<input type="checkbox"/>	144	<input type="checkbox"/>	<input type="checkbox"/>	<input type="checkbox"/>	<input type="checkbox"/>	<input type="checkbox"/>	228	<input type="checkbox"/>	<input type="checkbox"/>	<input type="checkbox"/>	<input type="checkbox"/>	<input type="checkbox"/>
64	<input type="checkbox"/>	<input type="checkbox"/>	<input type="checkbox"/>	<input type="checkbox"/>	<input type="checkbox"/>	148	<input type="checkbox"/>	<input type="checkbox"/>	<input type="checkbox"/>	<input type="checkbox"/>	<input type="checkbox"/>	232	<input type="checkbox"/>	<input type="checkbox"/>	<input type="checkbox"/>	<input type="checkbox"/>	<input type="checkbox"/>
68	<input type="checkbox"/>	<input type="checkbox"/>	<input type="checkbox"/>	<input type="checkbox"/>	<input type="checkbox"/>	152	<input type="checkbox"/>	<input type="checkbox"/>	<input type="checkbox"/>	<input type="checkbox"/>	<input type="checkbox"/>	236	<input type="checkbox"/>	<input type="checkbox"/>	<input type="checkbox"/>	<input type="checkbox"/>	<input type="checkbox"/>
72	<input type="checkbox"/>	<input type="checkbox"/>	<input type="checkbox"/>	<input type="checkbox"/>	<input type="checkbox"/>	156	<input type="checkbox"/>	<input type="checkbox"/>	<input type="checkbox"/>	<input type="checkbox"/>	<input type="checkbox"/>	240	<input type="checkbox"/>	<input type="checkbox"/>	<input type="checkbox"/>	<input type="checkbox"/>	<input type="checkbox"/>
76	<input type="checkbox"/>	<input type="checkbox"/>	<input type="checkbox"/>	<input type="checkbox"/>	<input type="checkbox"/>	160	<input type="checkbox"/>	<input type="checkbox"/>	<input type="checkbox"/>	<input type="checkbox"/>	<input type="checkbox"/>	244	<input type="checkbox"/>	<input type="checkbox"/>	<input type="checkbox"/>	<input type="checkbox"/>	<input type="checkbox"/>
80	<input type="checkbox"/>	<input type="checkbox"/>	<input type="checkbox"/>	<input type="checkbox"/>	<input type="checkbox"/>	164	<input type="checkbox"/>	<input type="checkbox"/>	<input type="checkbox"/>	<input type="checkbox"/>	<input type="checkbox"/>	248	<input type="checkbox"/>	<input type="checkbox"/>	<input type="checkbox"/>	<input type="checkbox"/>	<input type="checkbox"/>
84	<input type="checkbox"/>	<input type="checkbox"/>	<input type="checkbox"/>	<input type="checkbox"/>	<input type="checkbox"/>	168	<input type="checkbox"/>	<input type="checkbox"/>	<input type="checkbox"/>	<input type="checkbox"/>	<input type="checkbox"/>	252	<input type="checkbox"/>	<input type="checkbox"/>	<input type="checkbox"/>	<input type="checkbox"/>	<input type="checkbox"/>
												256	<input type="checkbox"/>	<input type="checkbox"/>	<input type="checkbox"/>	<input type="checkbox"/>	<input type="checkbox"/>

### Electrical

**Supply Voltages (+vdc):** (specify when ordering)  
5 ± 5% vdc or 8 to 30 vdc

**Supply Current:** 50 ma max (no load)  
100 ma max (line driver)

**Output Circuit:** (specify when ordering)

Single Ended:

- 7273 open collector (30 VDC max, 50 mA max)
- 7272 Push-Pull (50 mA max source or sink)

Differential Line Driver:

- 7272 differential line driver (output level same as supply voltage)
- RS422 differential line driver (with regulated 5vdc output level)

**Operating Temperature:** 0° to 70° C

**Maximum Operating Speed:** 2,500 rpm

### Outputs

**Pulses per Revolution:** Selectable by setting switches 1 to 6 (see configuration switches). Output is "low" when initially powered.

**Anti-jitter feature:** details on our website

### Electrical Connections

Single Ended Outputs:

Optional 6-Pin	Optional M12 4-pin	Function	Wire Color
1	3	Common	Black
2	1	+vdc	Red
4	4	Output A	White
3, 5, 6	2	not used	-

6-pin connector is Amphenol T3402000 or equivalent  
M12 4-pin is Turck FS4.4/18.25 or equivalent

Differential Line Driver Outputs:

Optional 8-Pin	Optional M12 4-pin	Function	Wire Color
1	4	Output +A	White
4	1	+vdc	Red
5	3	Common	Black
6	2	Output -A	Green
2, 3, 7, 8		not used	-

8-pin connector is Amphenol T3506000 or equivalent

### MODEL NUMBER

<b>HS20</b>	<b>P256AJ</b>	<b>Supply Voltage:</b> 5 = 5vdc, 8-30 = 8-30vdc	<b>Output Circuit:</b> leave blank for 7272 Push/Pull, C=7273 open collector, DH=7272 line driver, DL=RS422 line driver	<b>Cable/Connector:</b> leave blank for attached 10' (3meter) cable, S=6 or 8 pin connector, S3=M12 4-pin connector	<b>Modification Number:</b> optional modification or special feature ID. Call or see our website.	<b>Accessories:</b> leave blank for no accessories. Call or see our website for more information.
<u>Model Number</u>	<u>Program Name</u>					
Shaft Bore: B = 3/8", .5 = 1/2", .625 = 5/8", M10 = 10mm, M12 = 12mm, M16 = 16mm	Call or see our website for information about other available programs for this encoder model.					

Example: HS20.5-P256AJ/8-30 - 1/2" shaft bore, P256AJ program, 8-30vdc, push/pull output, attached 10' cable



PO Box 25135 Tampa FL 33622-5135, USA  
813-886-4000 800-237-0946  
tco.com • photocraftencoders.com