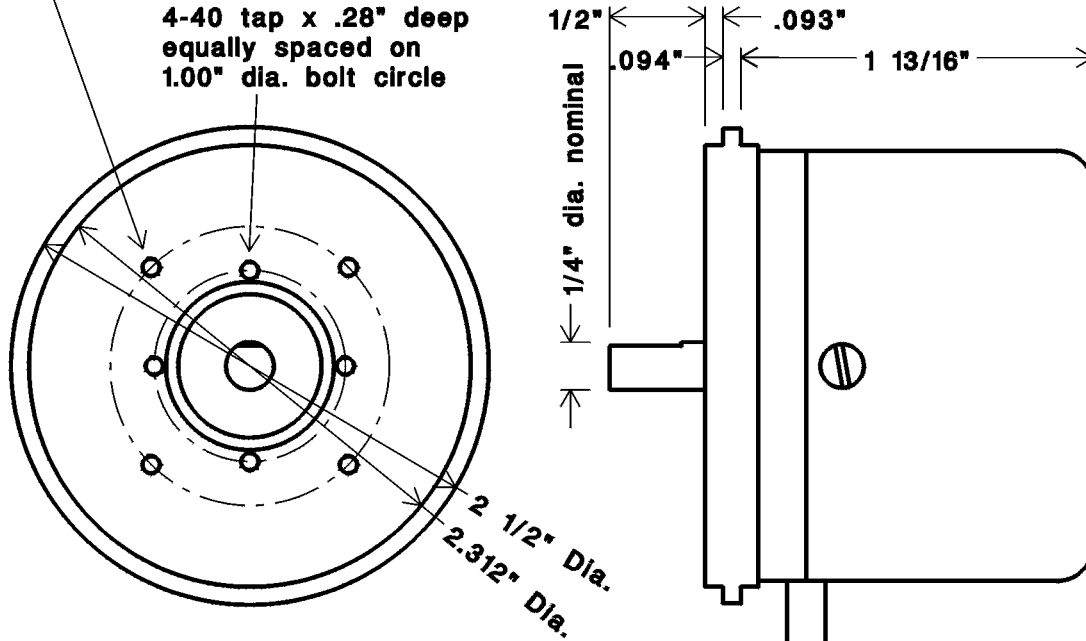


4-40 tap x .28" deep
equally spaced on
1.46" dia. bolt circle

4-40 tap x .28" deep
equally spaced on
1.00" dia. bolt circle



Connections:

- 1) Case ground
- 2) Output Z
- 3) Supply voltage
- 4) Common
- 5) Cable drain wire
- 6) Output B
- 7) Output A

15" cable (w/o connector)

Fischer connector
model: S 104 A054-130+
clamp: E3 104.3/8.7+B

See the RG datasheet for more information.

Rev	Description	Date	Tolerances	M136: RG encoder with modified shaft, MB-75 adapter, 74265 line driver, Fischer connector		
			.XXXX ± .0005 .XXX ± .005 .XX ± .01 .X ± .015	BY: TRD	MAT'L: 33A058 adapter, 34A005 shaft, Fischer connector	
			Fractions ± 1/32 Angles ± 15 min. Runout ± .003 <small>Unless otherwise specified</small>	DATE: 3/6/01	FINISH: n.a.	SCALE: 1 : 1
				PHOTOCRAFT, Inc. Elburn, Illinois 8A136		