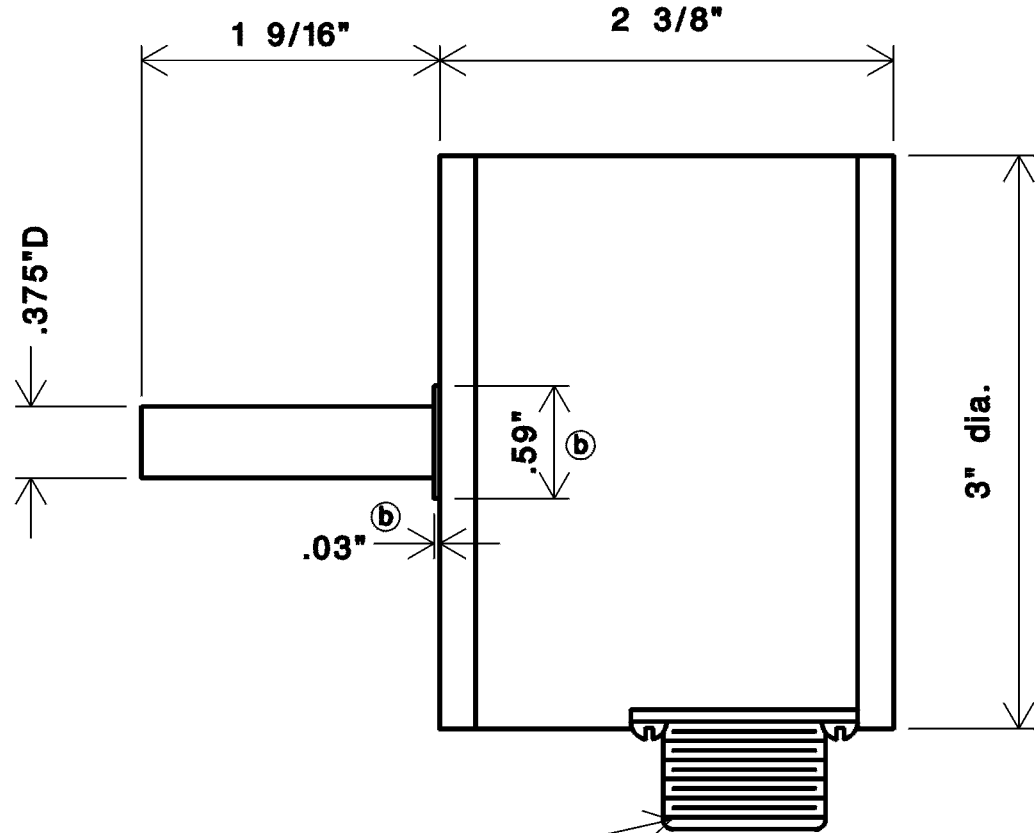
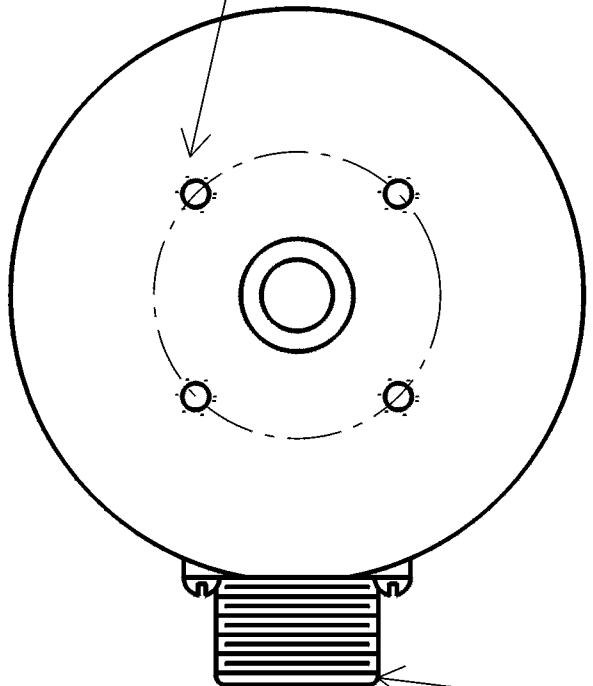


(4) 8-32 bolt holes  
9/32" deep on  
1.50" dia. bolt circle



Amphenol MS3102A-10SL-3P  
3-Pin Connector  
(or equivalent)

Function	Pin	Wire
Supply Voltage	A	Red
Pulse Output	B	White
Ground	C	Black

Note: All dimensions are nominal.

Rev	Description	Date	Tolerances	M153: Model RL Encoder with 3 pin connector		
			.XXXX ± .0005 .XXX ± .005 .XX ± .01 .X ± .015 Fractions ± 1/32 Angles ± 15 min. Runout ± .003 <small>Unless otherwise specified</small>	BY: TRD	MAT'L:	
				DATE: 1/27/03	FINISH:	SCALE: 1 : 1
				PHOTOCRAFT, Inc. Elburn, Illinois		8A153