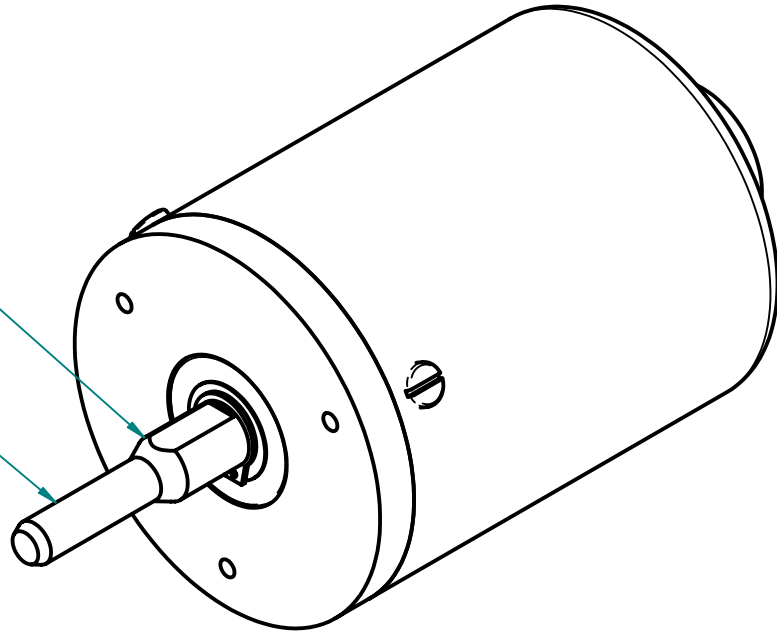
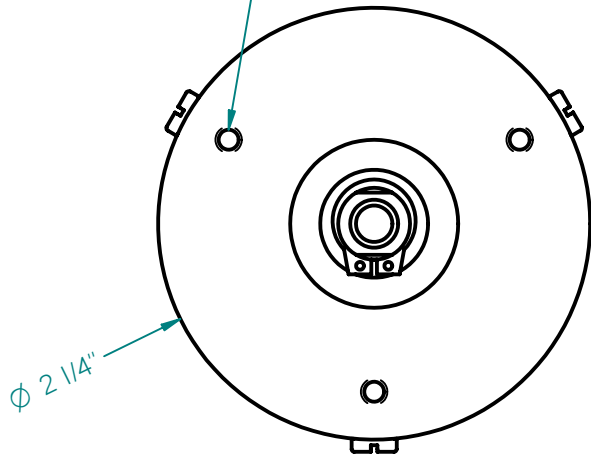


Ø 3/8" with flats on both sides

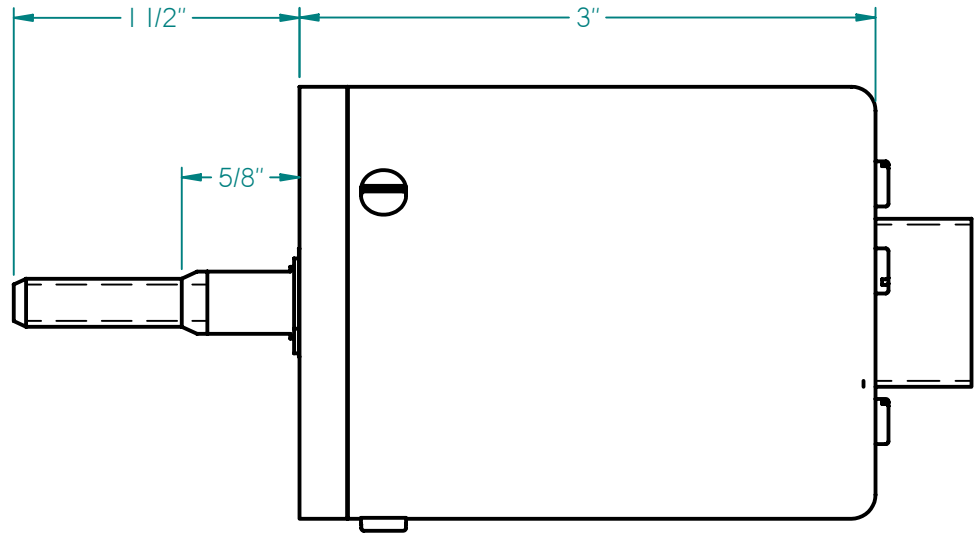
1/4-20 UNC x



3 x #6-32 UNC, ∇ .250" on 1.750" DBC



Ø 2 1/4"



Model No.: "RGC... MI71"

See the RG datasheet for more information.

Rev	Description	Date	This information is approved only if it is stamped "APPROVED", signed, and dated.	Tolerances	MI71: RG encoder with 1/4-20 threaded shaft		
			This document is provided for a specific purpose and the disclosed information remains our property. It may not be disclosed, copied, or reproduced, except for the specific purpose, without Photocraft's prior approval. This notice must appear on any copy or reproduction of this document.	.XXX ± .0005 XX ± .005 .XX ± .01 X ± .015	By: TRD	Mat'l:	
			© 2004, Photocraft Inc.	Fractions ± 1/32 Angles ± 15 min Runout ± .003 <small>unless otherwise specified</small>	Orig. Date: 8/2/04	Finish:	Scale: 1 : 1
					Photocraft Inc 602 E North St, Elburn, IL, USA		8A171