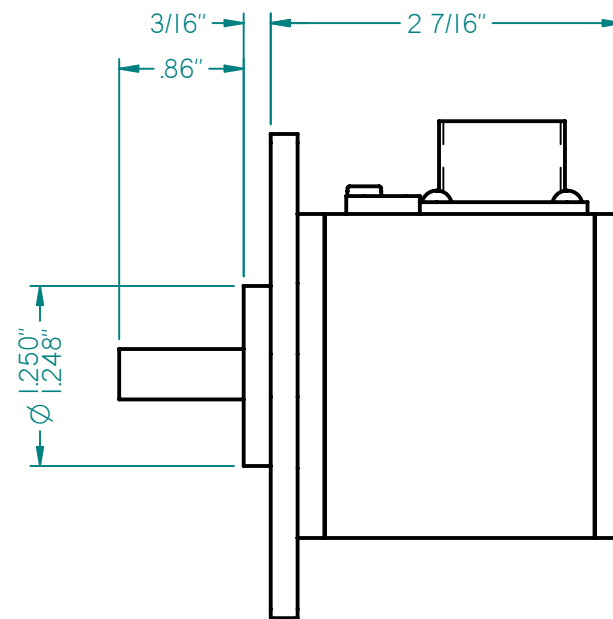
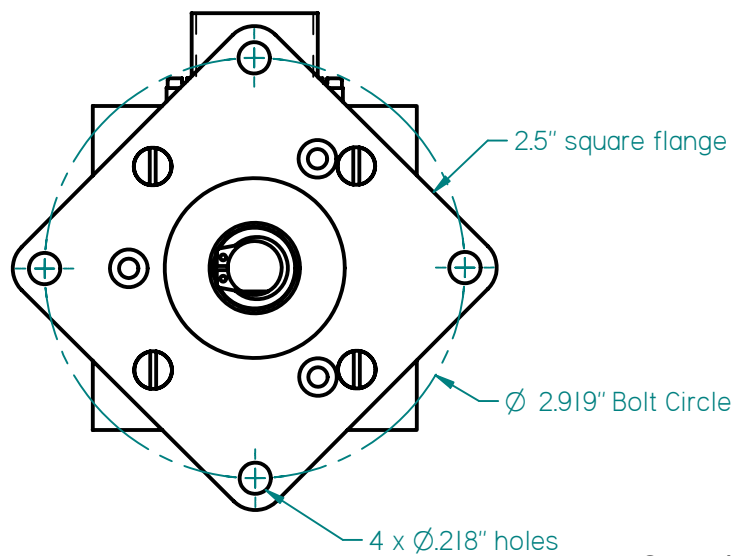


Heavy Duty Bearings.  
 Shaft Loading:  
 Radial: 40 lbs. / 18.1 kg  
 Axial: 30 lbs / 13.6 kg  
 Bearing Life: 32 x 1,000,000 / rpm = hours



See the RS or RS-P datasheet for more information.

Rev	Description	Date	This information is approved only if it is stamped "APPROVED", signed, and dated.	Tolerances	MI84: RS encoder with MB-FL6 adapter, heavy duty bearings, .86" shaft with flat	
			This document is provided for a specific purpose and the disclosed information remains our property. It may not be disclosed, copied, or reproduced, except for the specific purpose, without Photocraft's prior approval. This notice must appear on any copy or reproduction of this document. © 2004, Photocraft Inc.	.XXXX ± .0005 .XXX ± .005 .XX ± .01 .X ± .015 Fractions ± 1/32 Angles ± 15 min Runout ± .003 Unless otherwise specified	By: TRD	Mat'l:
					Orig. Date: 8/26/05	Finish:
					Scale: .75 : 1	
					Photocraft Inc 602 E. North Street, Elburn IL 60119, USA www.photocraftencoders.com	
					8A184	