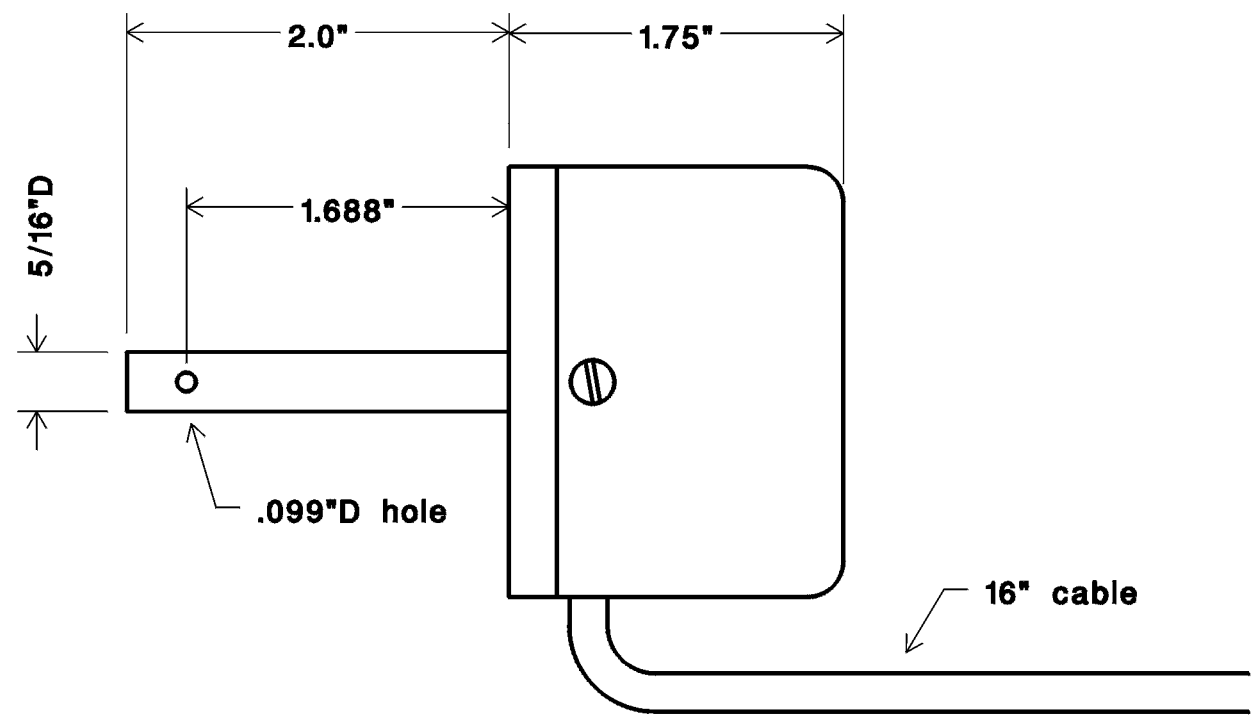
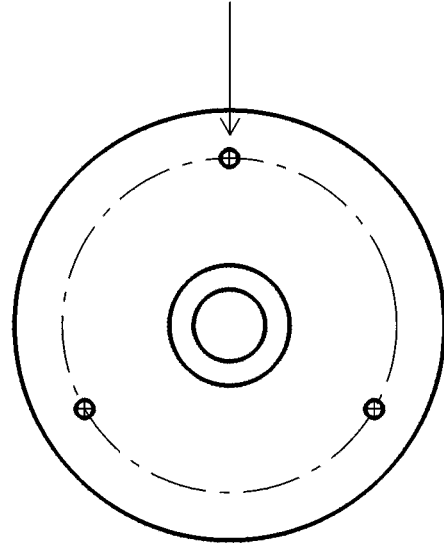


6-32 tap, .25" deep on  
1.75" Dia. bolt circle (3)



Includes 12 VDC Automotive Power Option  
See RG datasheet for more information

Rev	Description	Date	Tolerances	M49: RG encoder with modified shaft and 12vdc automotive power option	
			.XXXX ± .0005 .XXX ± .005 .XX ± .01 .X ± .015	BY: RED	MAT'L:
			Fractions ± 1/32 Angles ± 15 min. Runout ± .003 <small>Unless otherwise specified</small>	DATE: 10/17/89	FINISH:
				SCALE: 1 : 1	
				PHOTOCRAFT, Inc. Elburn, Illinois 8A049	