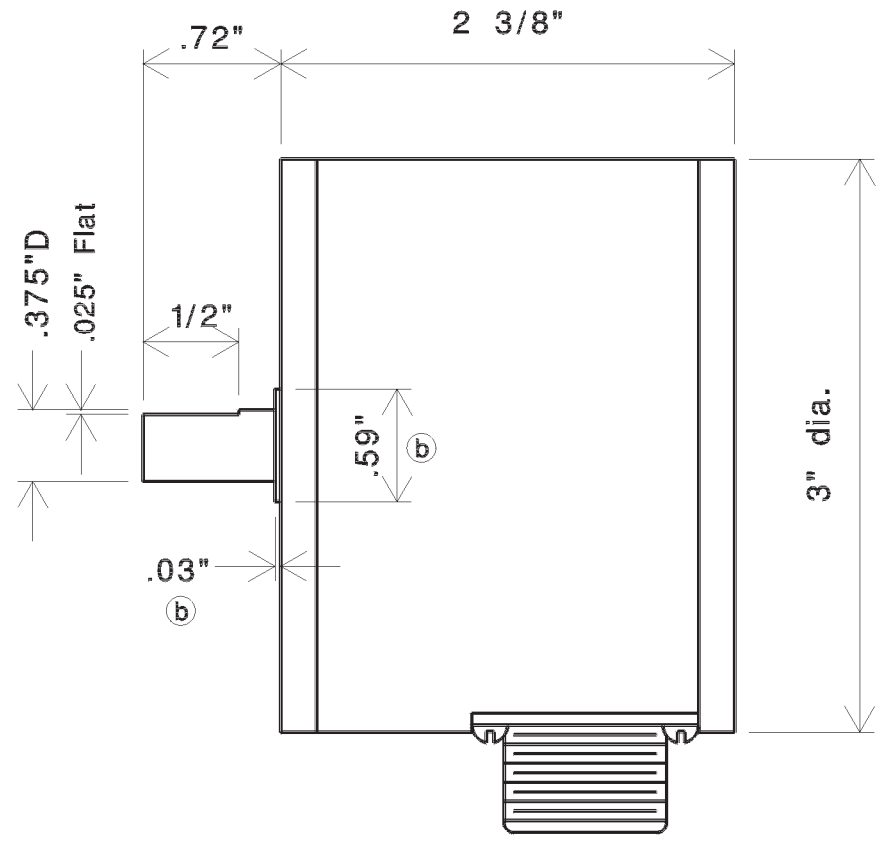
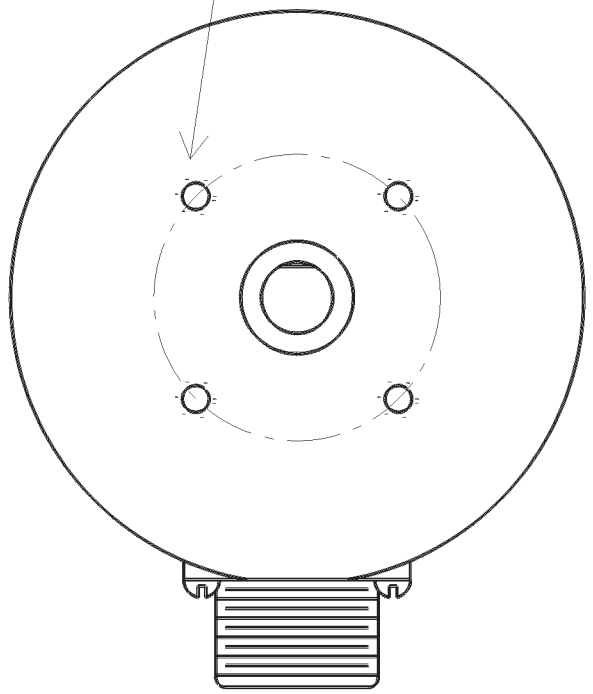


(4) 8-32 bolt holes  
 9/32" deep on  
 1.50" dia. bolt circle



See the RL datasheet for more information

Rev	Description	Date	Tolerances	M72: Model RL encoder with 3/8"D x 3/4" shaft	
a	Shaft length was 7/8"	1/25/94	.XXXX ± .0005 .XXX ± .005	BY: TRD      MAT'L: 34A034 shaft	
b	Increase bearing radial load capacity 8X	5/11/01	.XX ± .01 .X ± .015	DATE: 12-10-93	FINISH:      SCALE: 1 : 1
			Fractions ± 1/32 Angles ± 15 min. Runout ± .003 Unless otherwise specified	PHOTOCRAFT, Inc.      Elburn, Illinois      8A072b	