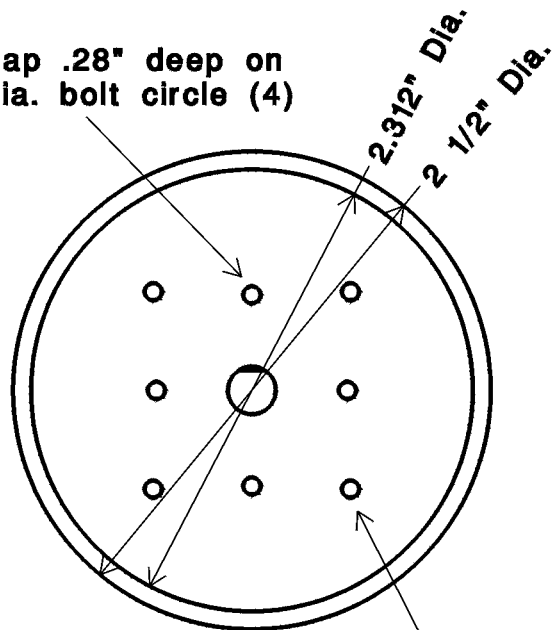
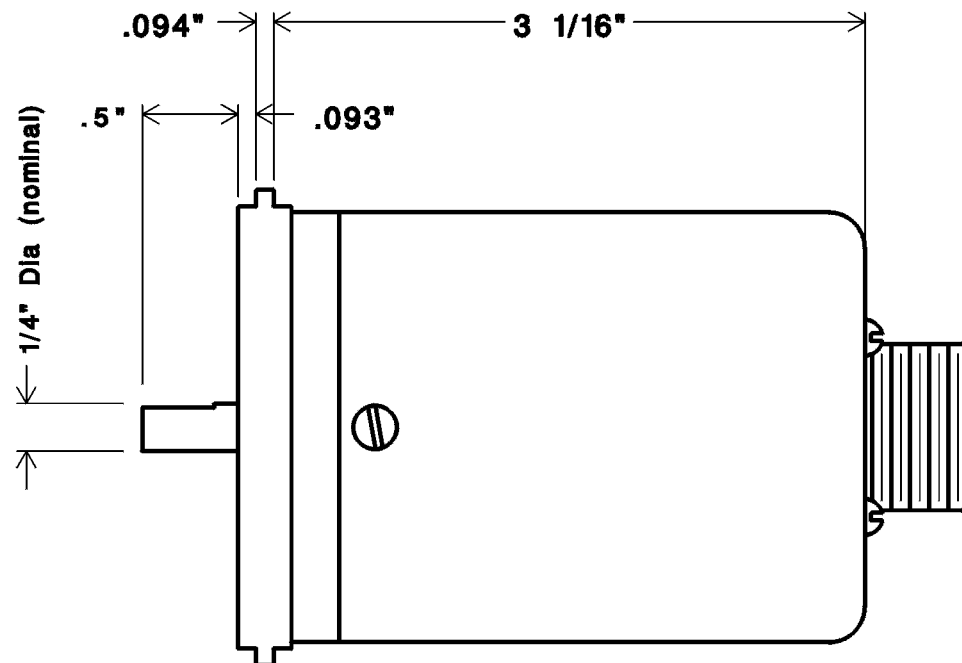


4-40 tap .28" deep on
1.00" Dia. bolt circle (4)



4-40 tap .28" deep on
1.46" Dia. bolt circle (4)



Connections

- A Common
- B Supply voltage
- C Output Z
- D Output A
- E Output B
- F no connection

See RJ datasheet for more information
NOTE: this unit is NOT environmentally sealed.

Rev	Description	Date	Tolerances	M89: RJ encoder with modified shaft and adapter (ECCL OS25-...-40/5-A10)	
			.XXXX ± .0005	BY: TRD	MAT'L: 33A058 adapter, 34A005 shaft
			.XXX ± .005	DATE: 5/4/94	FINISH: SCALE: 1 : 1
			.XX ± .01	PHOTOCRAFT, Inc. Elburn, Illinois 8A089	
			.X ± .015		
			Fractions ± 1/32		
			Angles ± 15 min.		
			Runout ± .003		
			Unless otherwise specified		