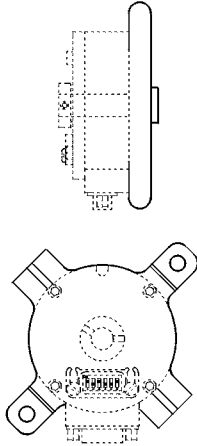
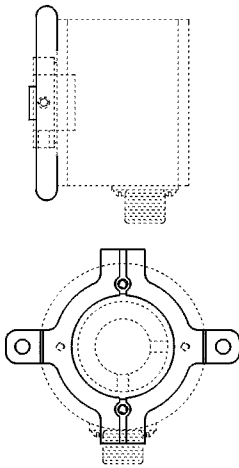


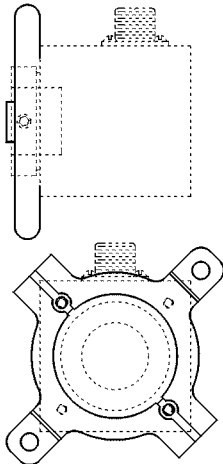
Shown with
HS25
encoder



Shown with
HRL
encoder



Shown with
HRS
encoder



DESCRIPTION

Designed for the HRL, HRS, and HS25 hollow shaft encoders, the MB-FB1 flexible mounting bracket is made from .015" (.38mm) thick stainless steel that flexes to accommodate the axial misalignment between the encoder's hollow shaft and the mounting shaft. Failure to use a flexible mounting such as this can significantly reduce the life of the encoder's bearings.

INSTALLATION

1. Fasten flexible bracket to face of encoder using two 6-32 screws (supplied) so that the bracket is approximately centered on the encoder shaft.
2. Slide encoder onto mounting shaft, but do not tighten set screws.
3. Securely fasten bracket to frame using two screws in the .260" diameter bracket holes (screws are not provided).
4. Tighten set screws to fasten the encoder shaft to the mounting shaft.

ORDER INFORMATION

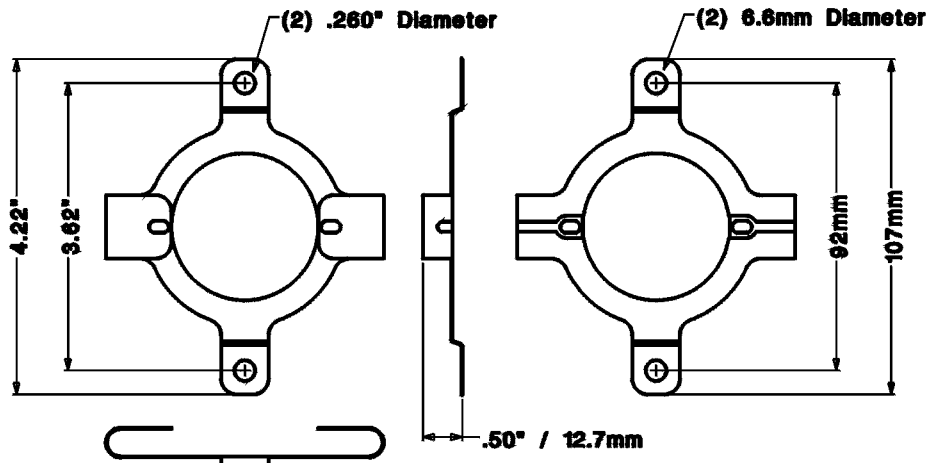
Part No.: MB-FB1

(Includes all parts shown in the parts list)

PARTS LIST

Qty	Description	Part No.
1	Flexible bracket	500-MSC006
2	6-32 x 3/16" RH screw	550-SCR202

DIMENSIONS



OVER 25 YEARS OF
MATERIAL HANDLING AND
INDUSTRIAL EXPERIENCE

HOTOCRAFT INC

602 E. North Street
Elburn, IL 60119, USA
www.photocraftencoders.com

630-365-7148
Fax: 630-365-7149