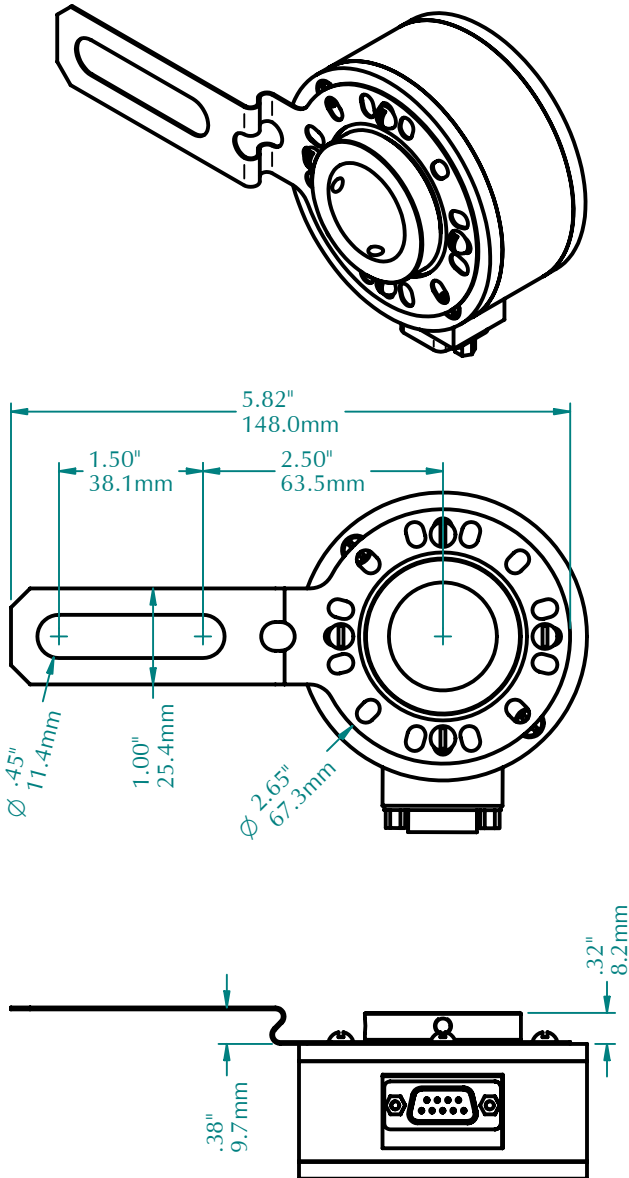


MB-FB5

Flexible Mounting Tether

DIMENSIONS

Shown with HS30 hollow shaft encoder. Also fits the HS25, HS31, HRL, HRS, and RL encoders.



DESCRIPTION

Designed to adapt the HS30 hollow shaft encoder to a C-face motor mount. It also fits the HS25, HS31, HRL, and HRS hollow shaft encoders, and RL shaft encoder, providing a flexible tether for many diverse applications. The MB-FB5 is made of .020" (.51mm) thick stainless steel that flexes to accommodate the axial misalignment between the rigidly coupled encoder/motor shafts and the motor housing. Failure to use a flexible mounting such as this can significantly reduce the life of the encoder's bearings.

INSTALLATION

1. Fasten the MB-FB5 tether to the face of the encoder using three or four 6-32 screws (supplied). Note: the RL uses 8-32 screws. The MB-FB5 mounting holes allow for flexible positioning of the tether onto the encoder.
2. Position the encoder onto the motor shaft but do not tighten any shaft set screws.
3. Securely fasten the MB-FB5 to the motor frame. Use the fiber washer and fiber shoulder washer to insulate the MB-FB5 arm from the motor housing (if necessary).
4. Tighten the shaft set screws.

ORDERING INFORMATION

Part No.: MB-FB5
(includes all parts shown in the parts list)

PARTS LIST

Qty	Description	Part No.
1	MB-FB5 flexible tether	500-MSC016
4	6-32 x 3/16" RH screws	550-SCR202
1	7/16" fiber washer	550-WSH016
1	3/8" shoulder washer	550-WSH017



PHOTOCRAFT Encoders
MATERIAL HANDLING AND INDUSTRIAL EXPERIENCE SINCE 1974

PO Box 25135 Tampa FL 33622-5135, USA
813-886-4000 800-237-0946
tco.com • photocraftencoders.com