

DESCRIPTION

MB-RD Adapter

The MB-RD adapts the model RG or RJ encoders for use with a measuring wheel. The MB-RD is a 2" x 6" x 1/8" aluminum plate that bolts to the face of the encoder and includes a 1/4" diameter mounting hole, 4.5" from the center of the encoder's shaft.

Part Number: MB-RD (includes all items in spare parts list)

Spare Parts List:

Qty	Description	Part No.
1	MB-RD adapter	605-0012-01
3	6-32 x 1/4" RH screws	541-6045

MB-RD2 Adapter

The MB-RD2 is similar to the MB-RD except it includes three 3/8" diameter mounting holes that can be used with the Y-1G yoke assembly or the MB-UB2 offset mounting adapter (not shown here).

Part Number: MB-RD2 (includes all items in spare parts list)

Spare Parts List:

Qty	Description	Part No.
1	MB-RD2 adapter	605-0041-01
3	6-32 x 1/4" RH screws	541-6045

Y-1G Yoke Assembly

The Y-1G yoke assembly can be rigidly connected to a mounting beam (not provided) and attaches to the MB-RD2, as shown in figure 3, to provide a pivot point so the encoder measuring wheel can ride on the moving web and freely pivot up and down as the moving material moves under the wheel. The weight of the encoder is sufficient to maintain continuous contact with the web.

Part Number: Y-1G (includes all items in spare parts list)

Spare Parts List:

Qty	Description	Part No.
1	Y-1 Yoke	605-0022-01
1	1/4"D Clevis Pin	541-0001
1	Yoke Bushing (brass)	603-0276-01
1	1/16"x1/2" Cotter Pin	541-0002
1	1/4-28 x 3/4" Cap Screw	541-1400
1	1/4" Split-Lock Washer	543-1201
2	Nylon washers	543-3806

DIMENSIONS

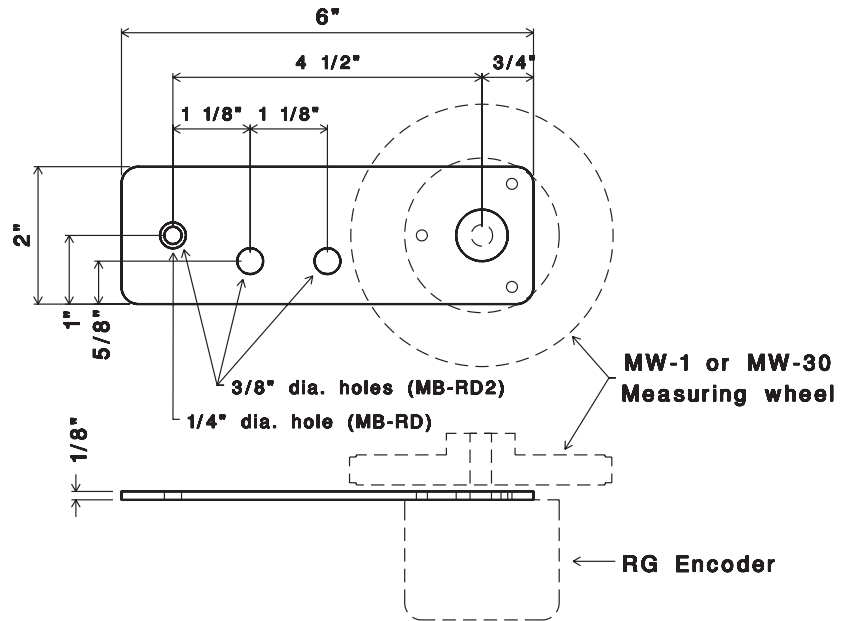


Figure 1: MB-RD and MB-RD2 Adapters

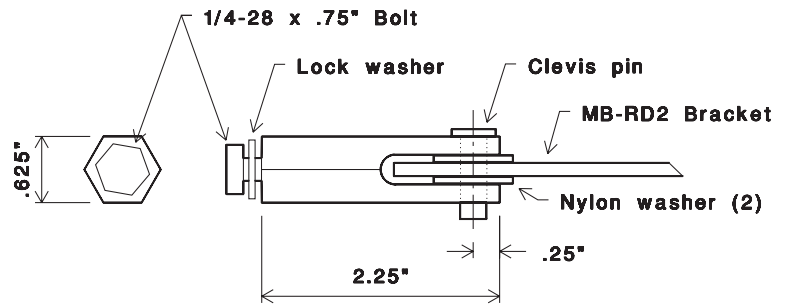


Figure 2: Y-1G Yoke Assembly

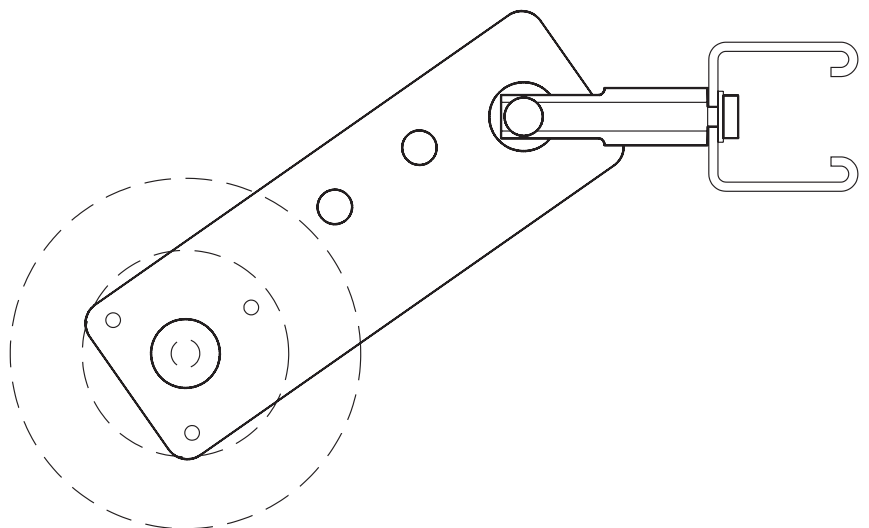


Figure 3: RG encoder with MB-RD2 and Y-1G