

MB-ST.5 Hollow Shaft Encoder Shaft Stubs

DESCRIPTION

The MB-ST.5 can be installed on the end of a conveyor roller to provide a mounting shaft for a hollow shaft encoder, such as the HS20 or HS30 encoders. The HS20 or HS30 should be ordered with a 1/2" shaft bore so it fits the MB-ST.5

INSTALLATION

1. Drill and tap a 3/8-16 hole, at least 5/8" deep, into the end of the conveyor roller. The hole must be centered and in-line with the conveyor roller axis so there is minimum wobble when the roller is rotating.
2. Insert the MB-ST.5 shaft stub. Tighten with a 1/4" hex key.
3. Install the HS20 or HS30 hollow shaft encoder onto the shaft stub and tighten the set screws.

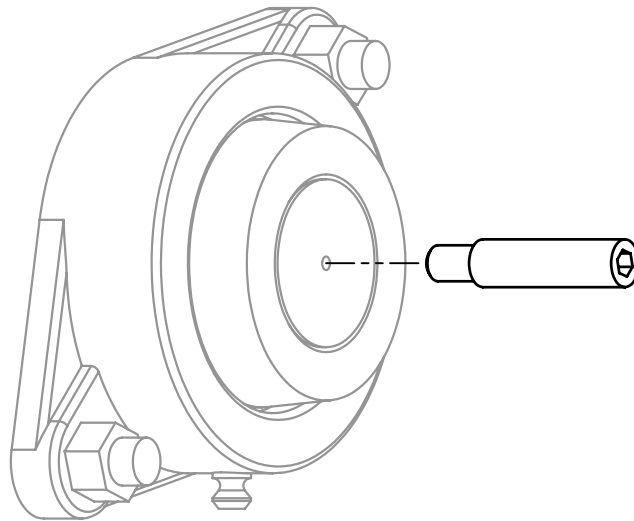


Figure 1: MB-ST.5 and conveyor roller bearing

DIMENSIONS

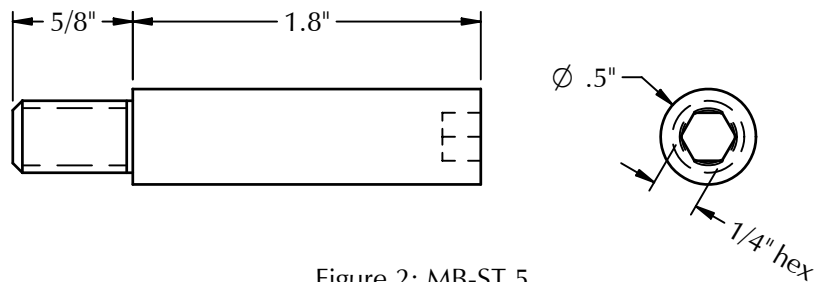


Figure 2: MB-ST.5

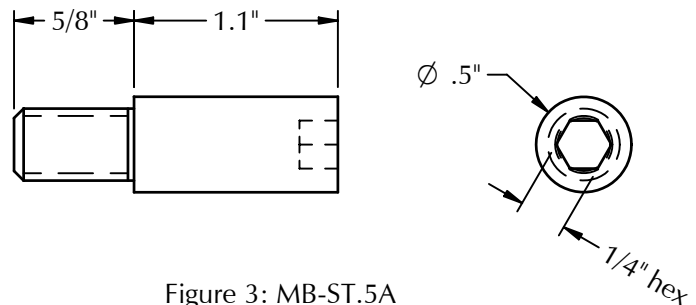


Figure 3: MB-ST.5A



PO Box 25135 Tampa FL 33622-5135, USA
813-886-4000 800-237-0946
tco.com • photocraftencoders.com