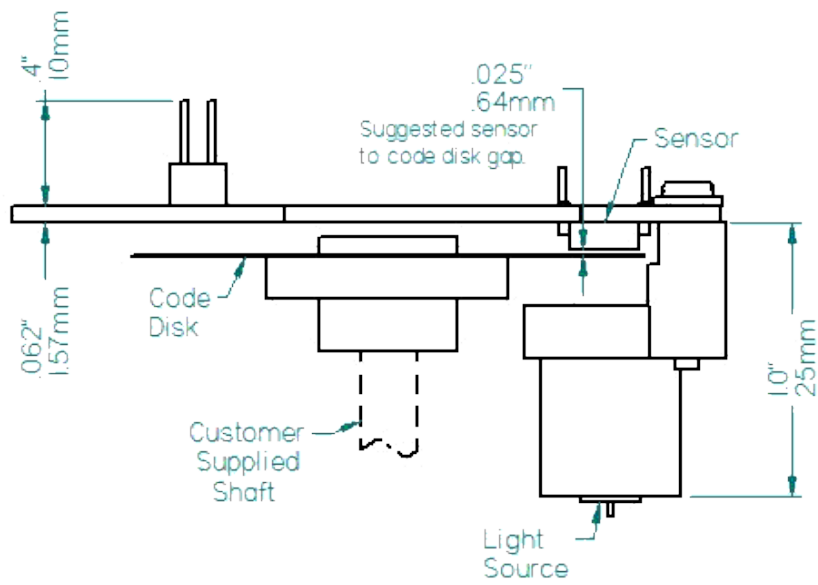
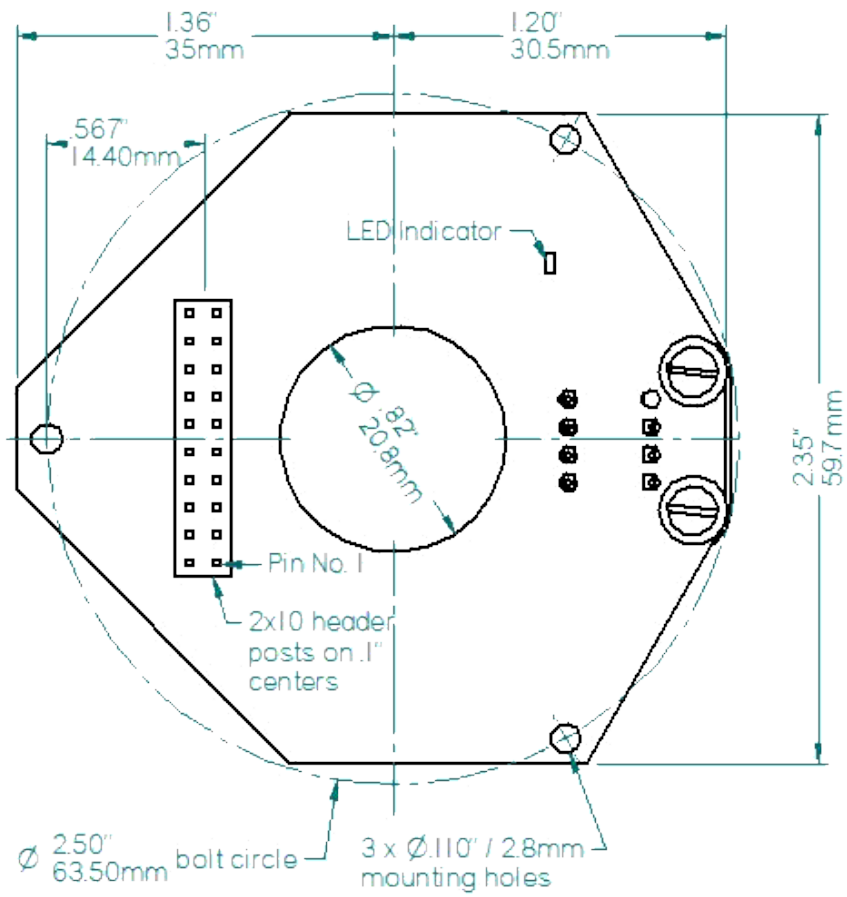
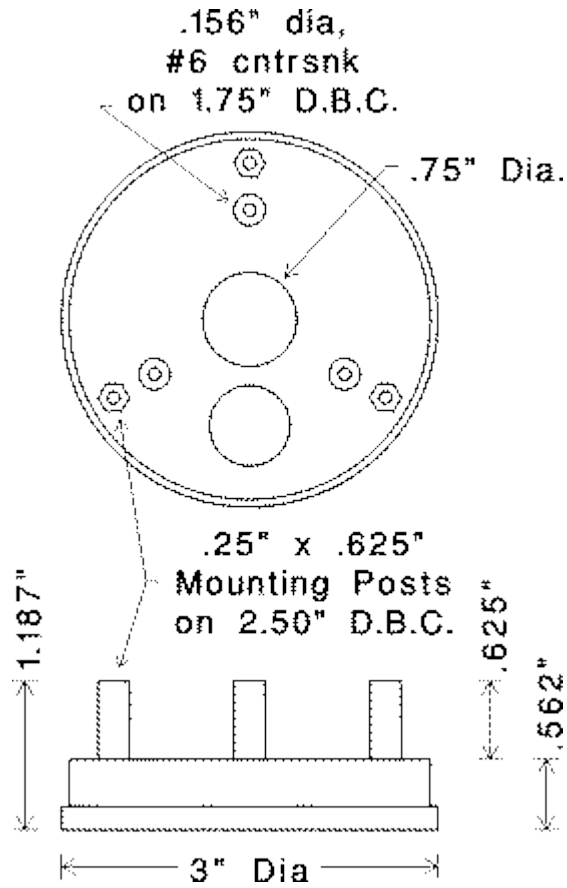


MR30 - Dimensions



MR30 – Optional Mounting Base



MR30 – Optional Cover Assemblies

