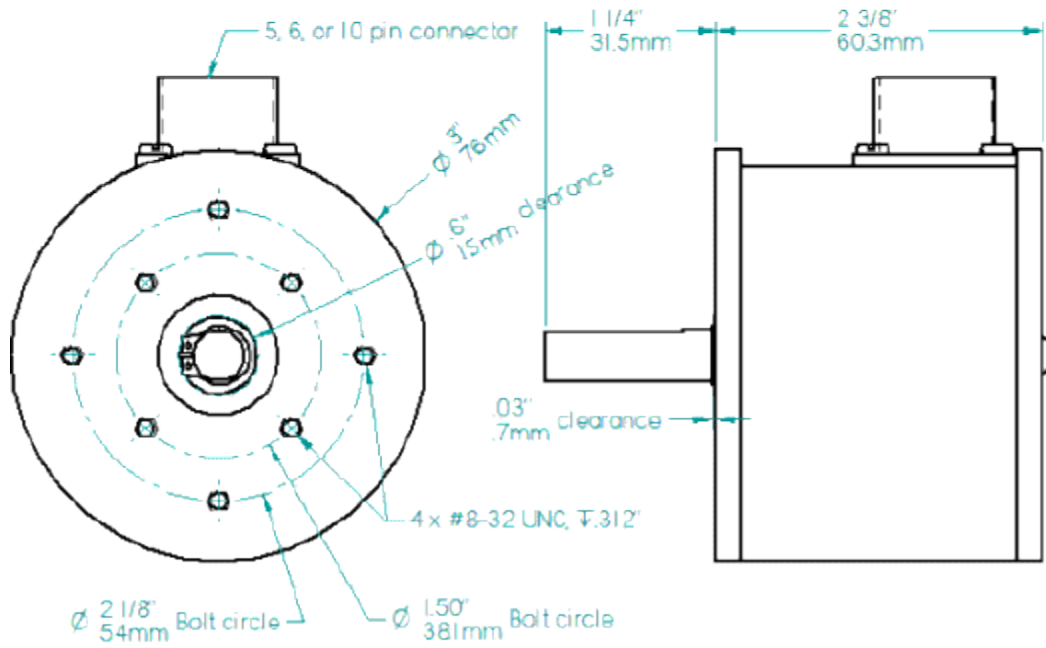
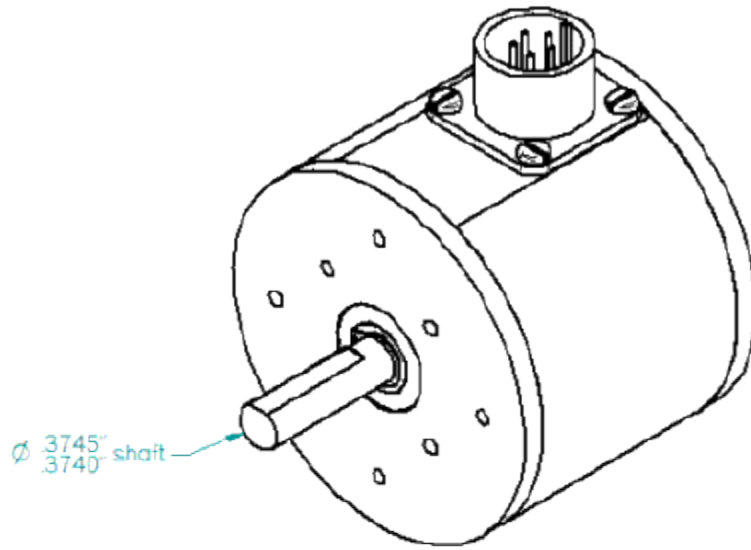
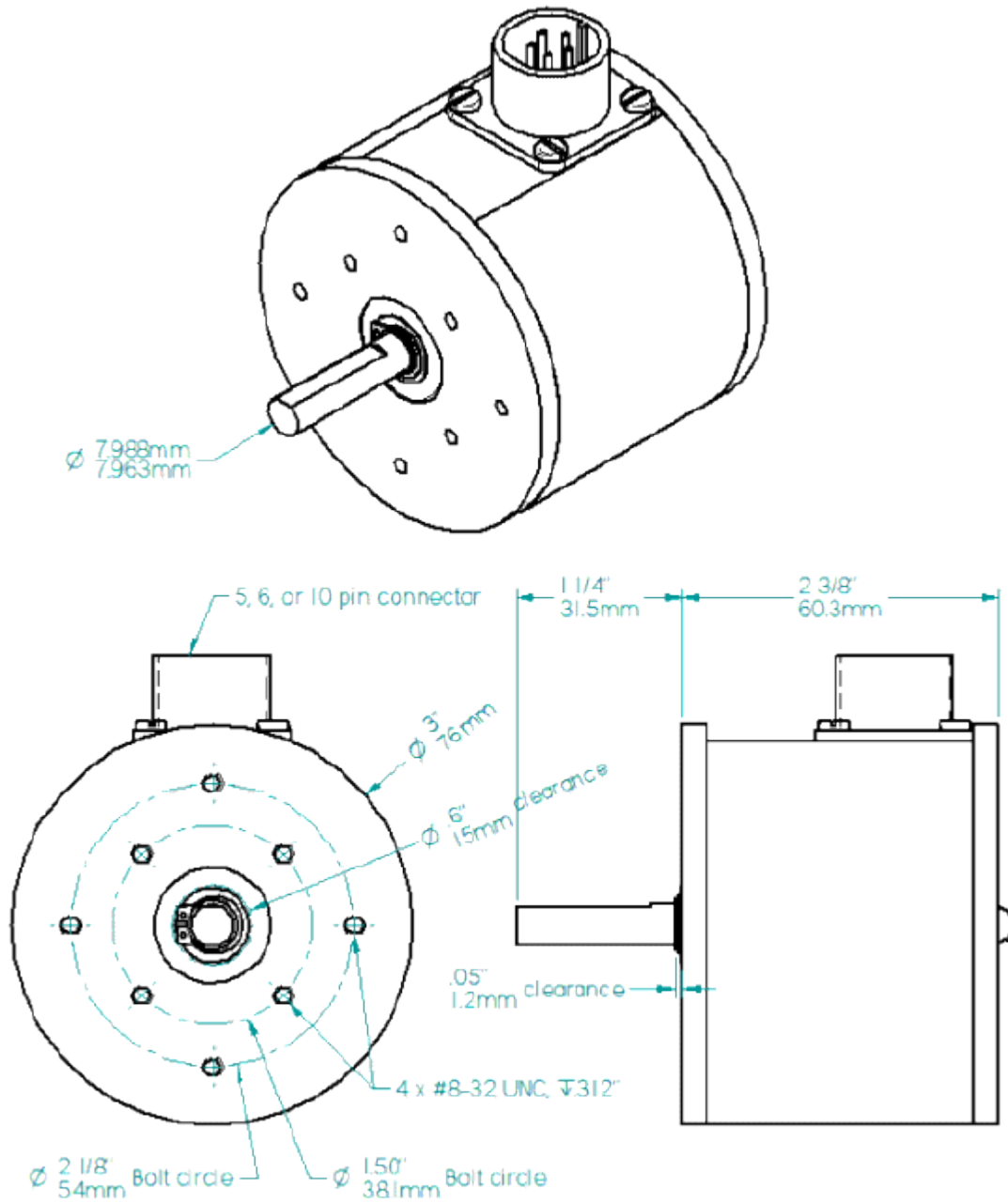


RL – 3/8" Shaft

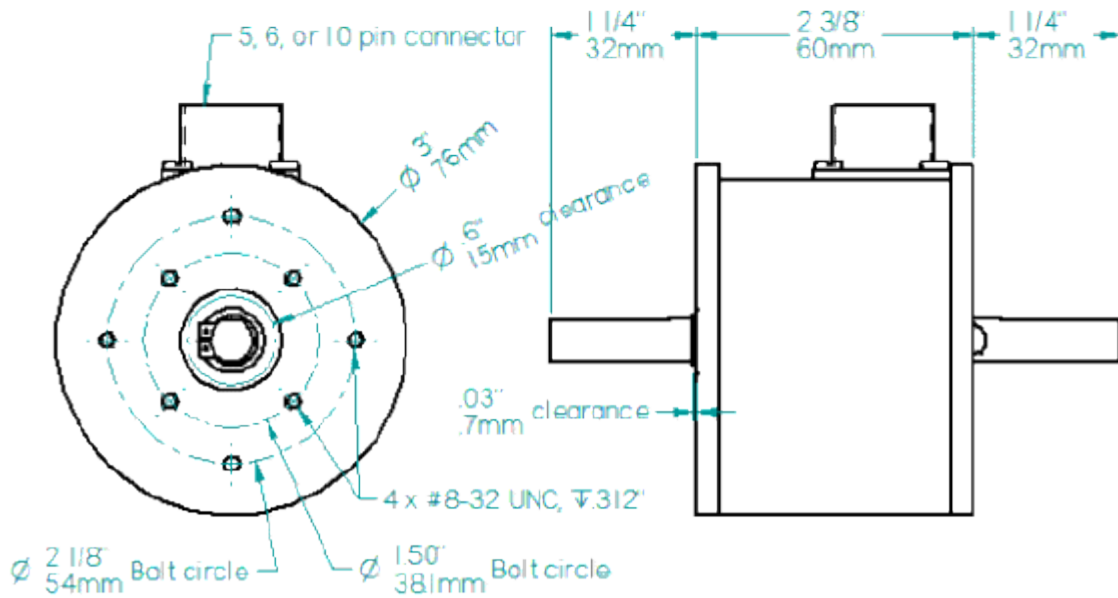
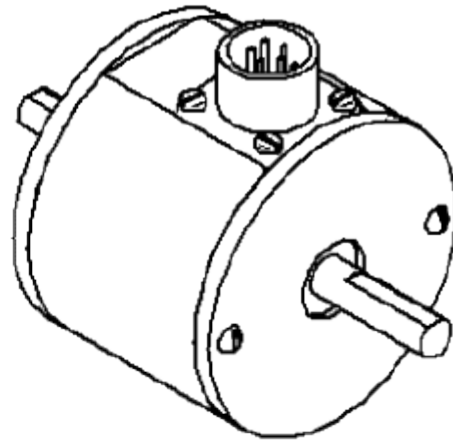
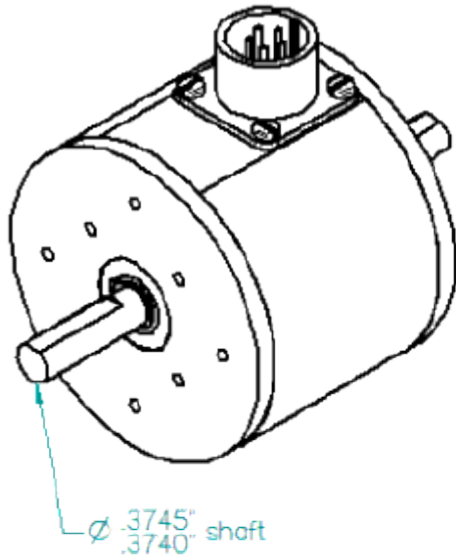


RL - 8mm Shaft

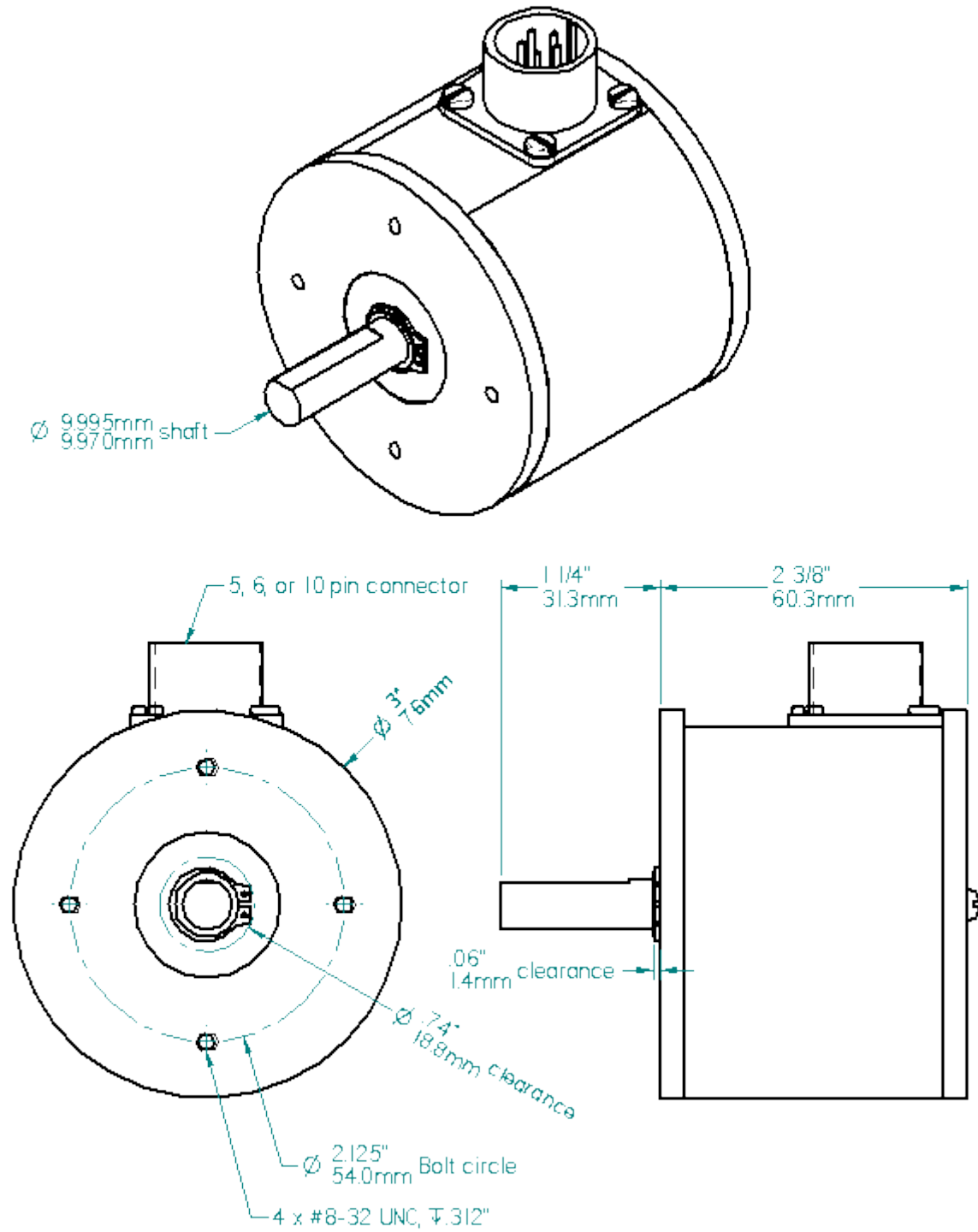


see the M96 modification for M4 x .7 bolt holes

RL – 3/8" Double Ended

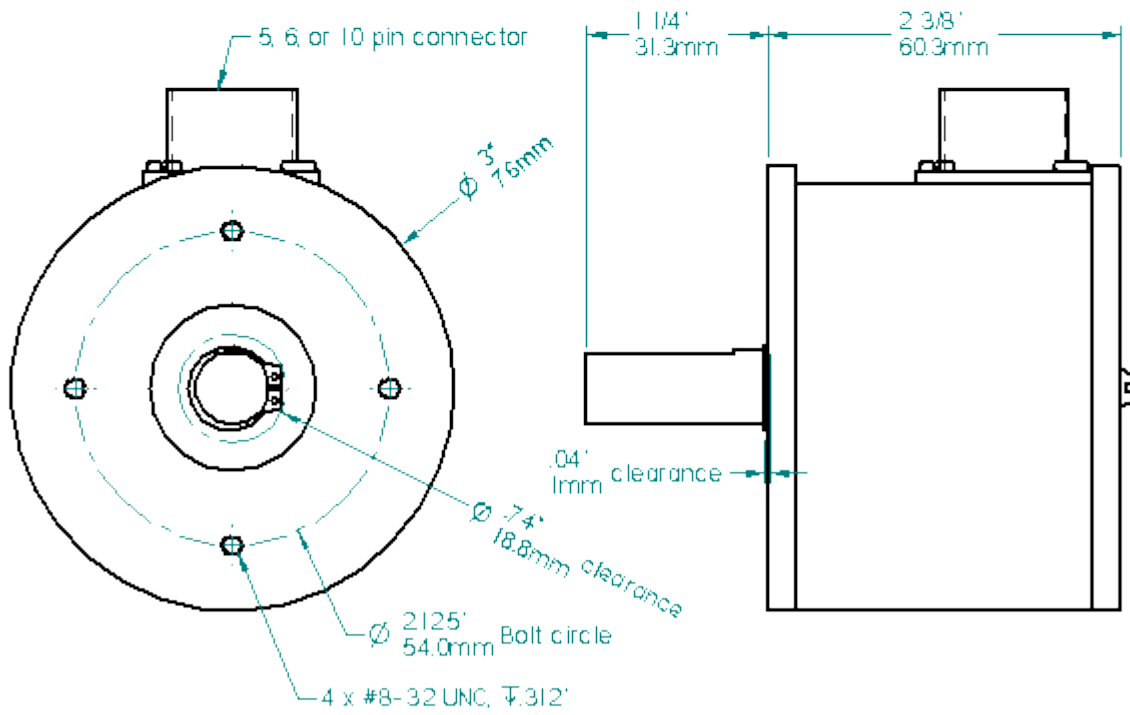
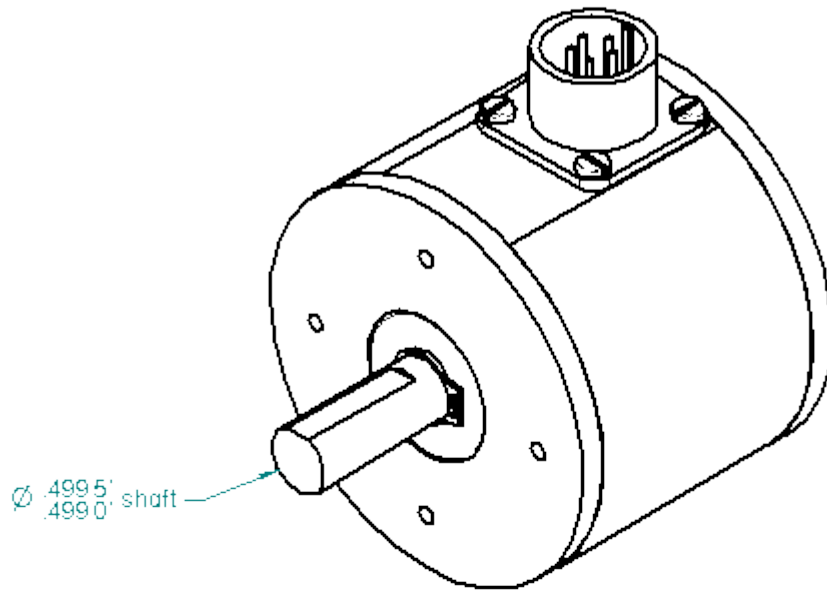


RL - 10mm Shaft

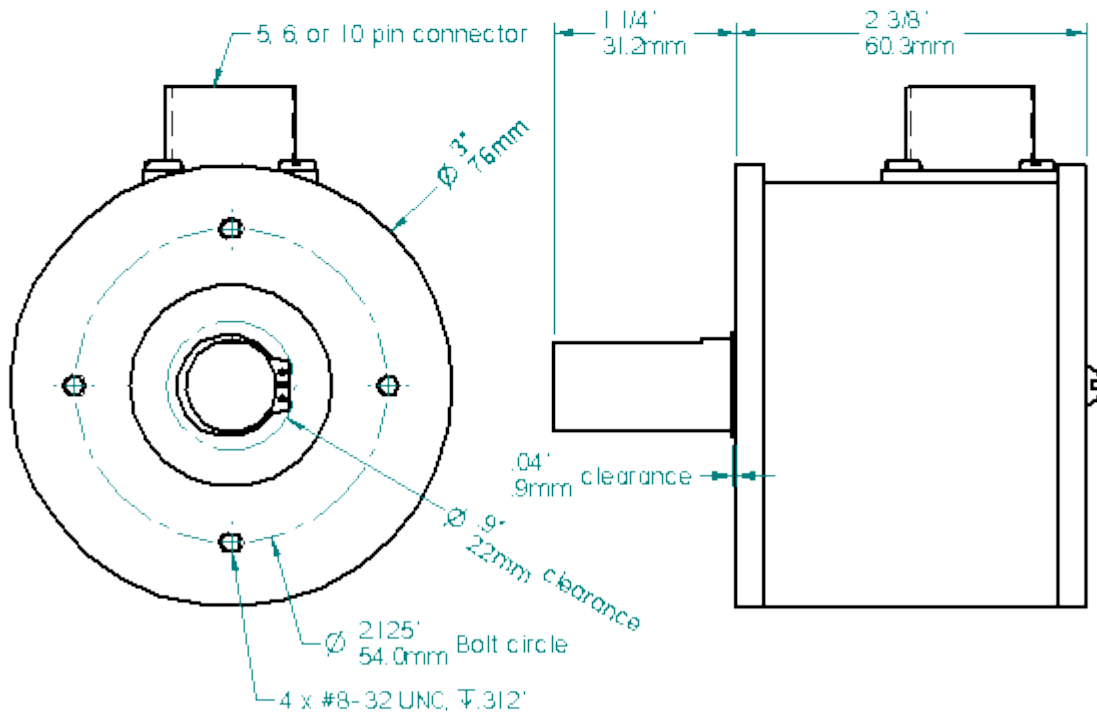
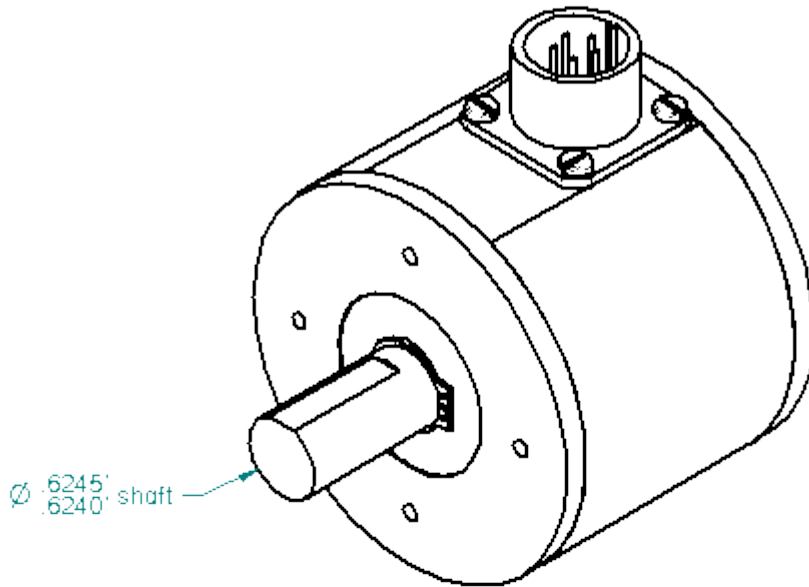


see the M96 modification for M4 x .7 bolt holes

RL - 1/2" Shaft



RL – 5/8" Shaft



RL - 3/8-16 Threaded

