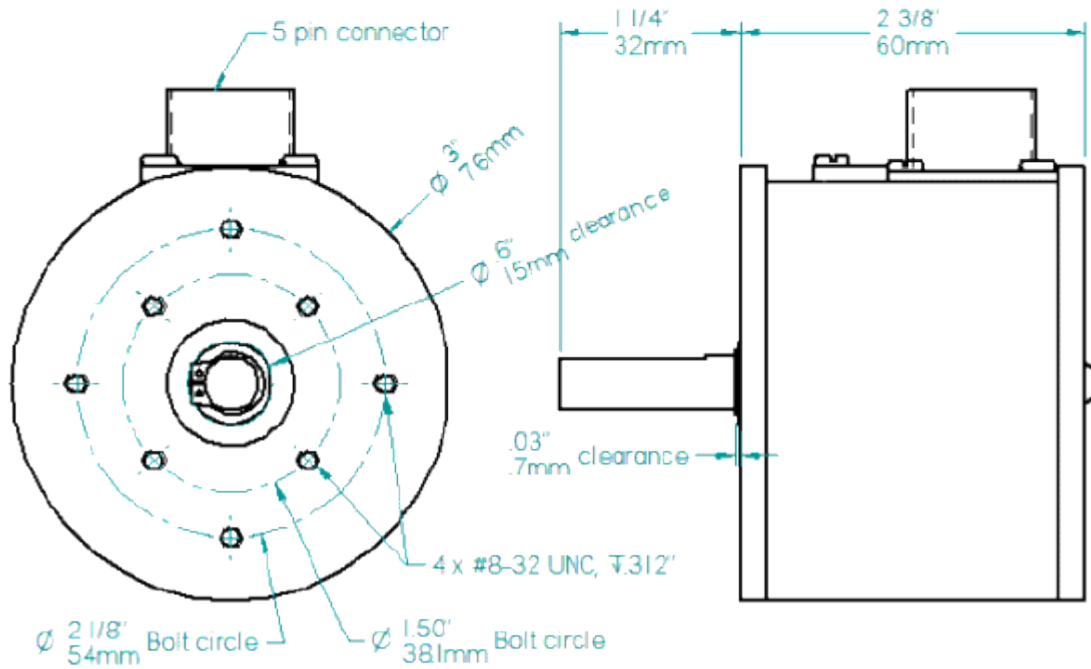
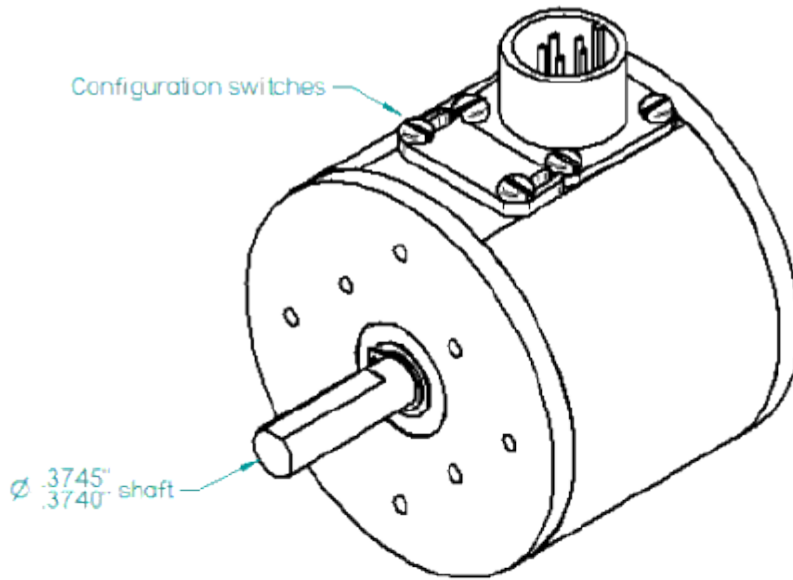


MODEL RL-P

Programmable Heavy Duty Shaft Encoder

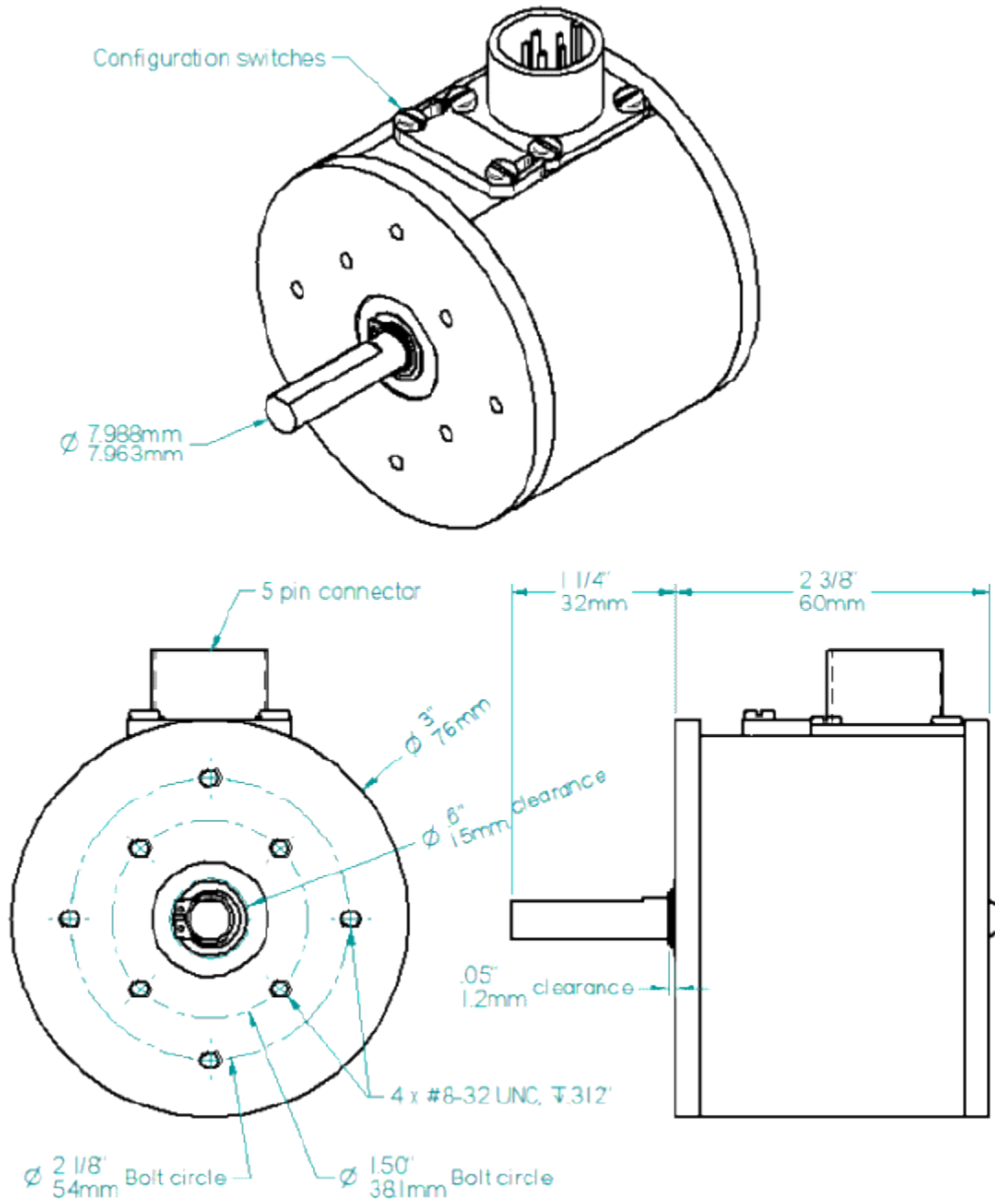
RL-P – 3/8" Shaft



MODEL **RL-P**

Programmable Heavy Duty Shaft Encoder

RL-P - 8mm Shaft

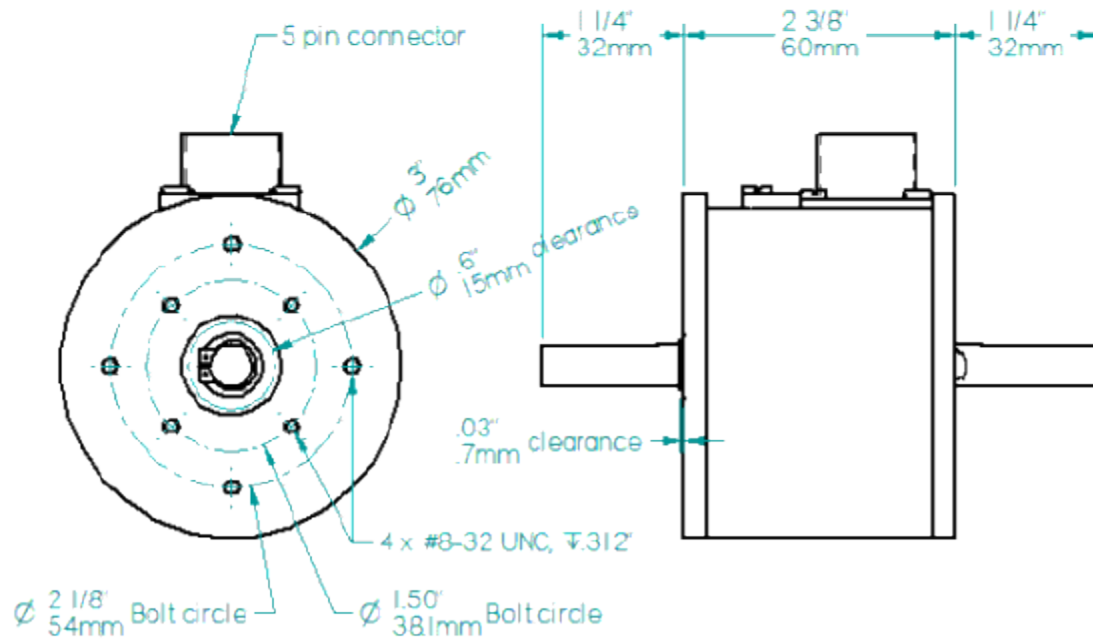
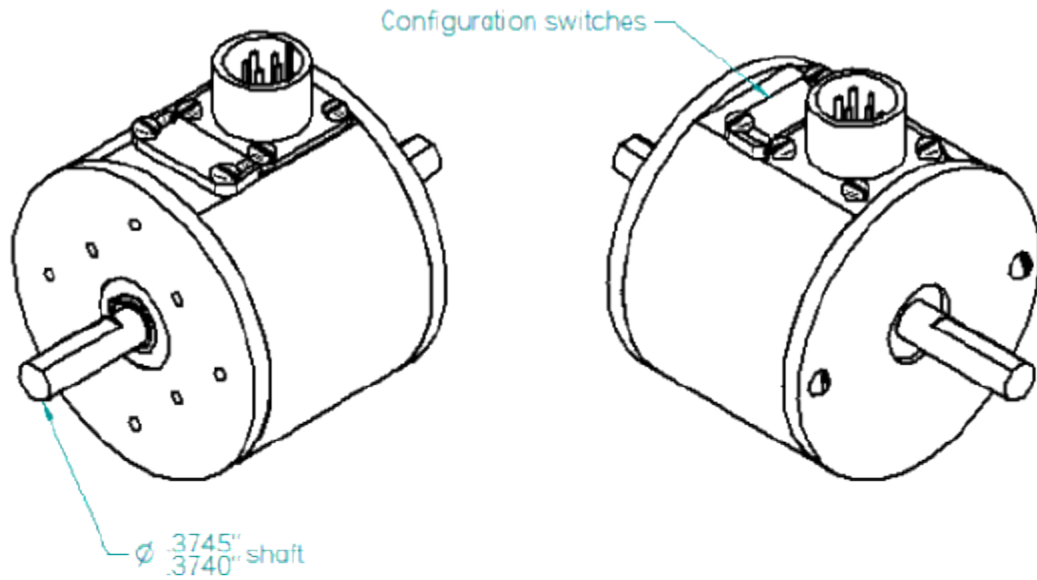


see the M96 modification for M4 x .7 bolt holes

MODEL RL-P

Programmable Heavy Duty Shaft Encoder

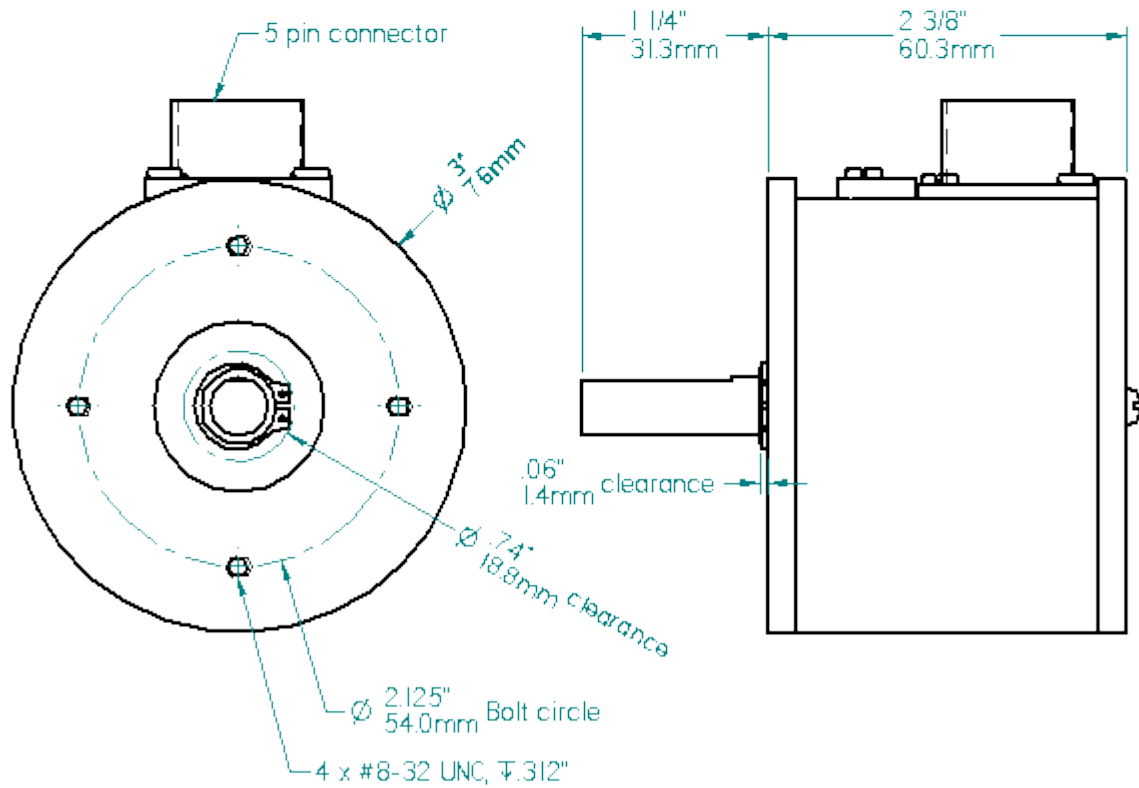
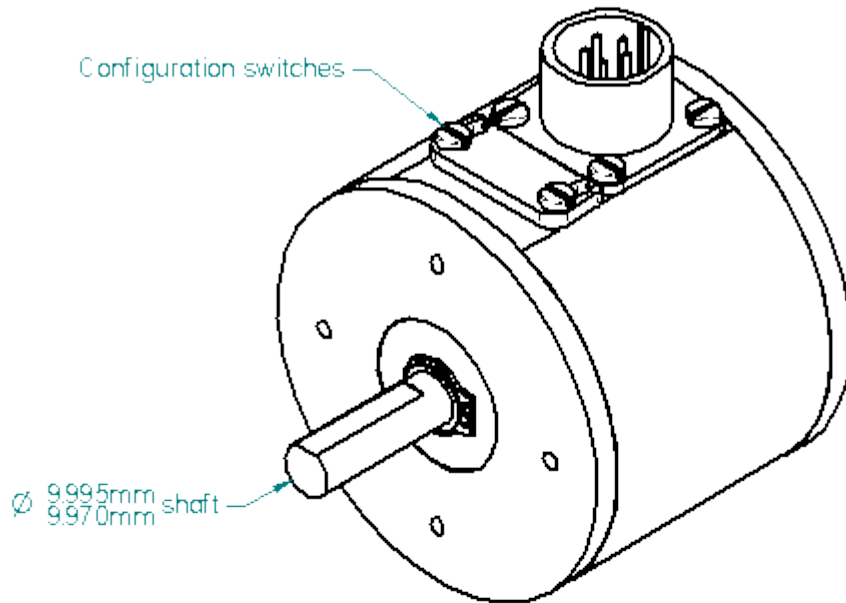
RL-P – 3/8" Double Ended Shaft



MODEL RL-P

Programmable Heavy Duty Shaft Encoder

RL-P – 10mm Shaft

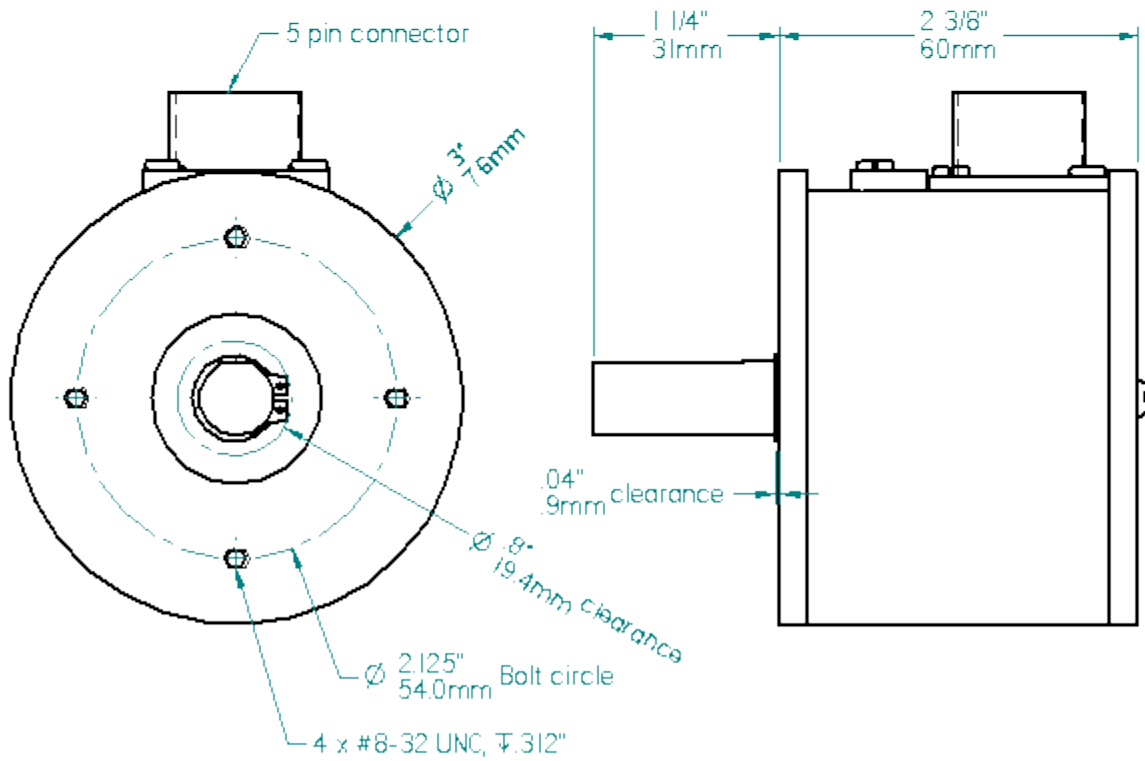
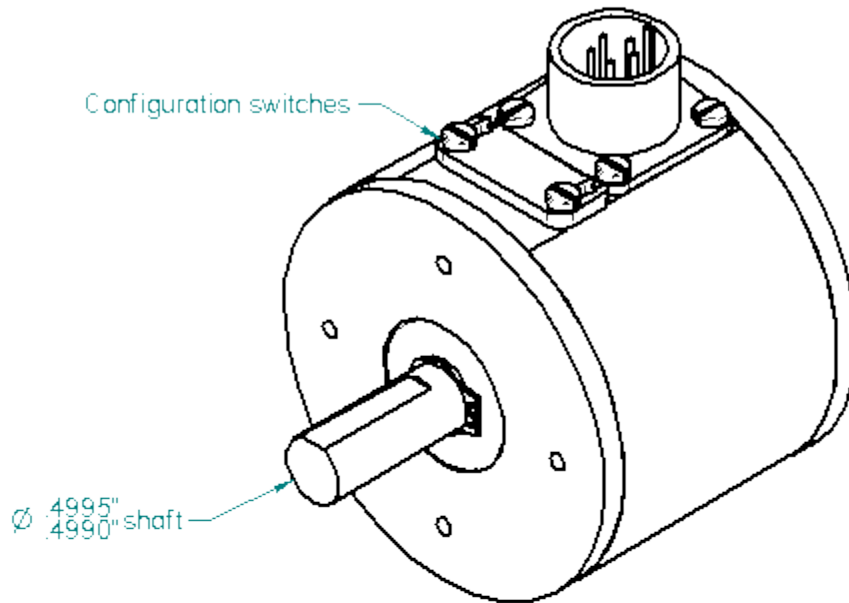


see the M96 modification for M4 x .7 bolt holes

MODEL RL-P

Programmable Heavy Duty Shaft Encoder

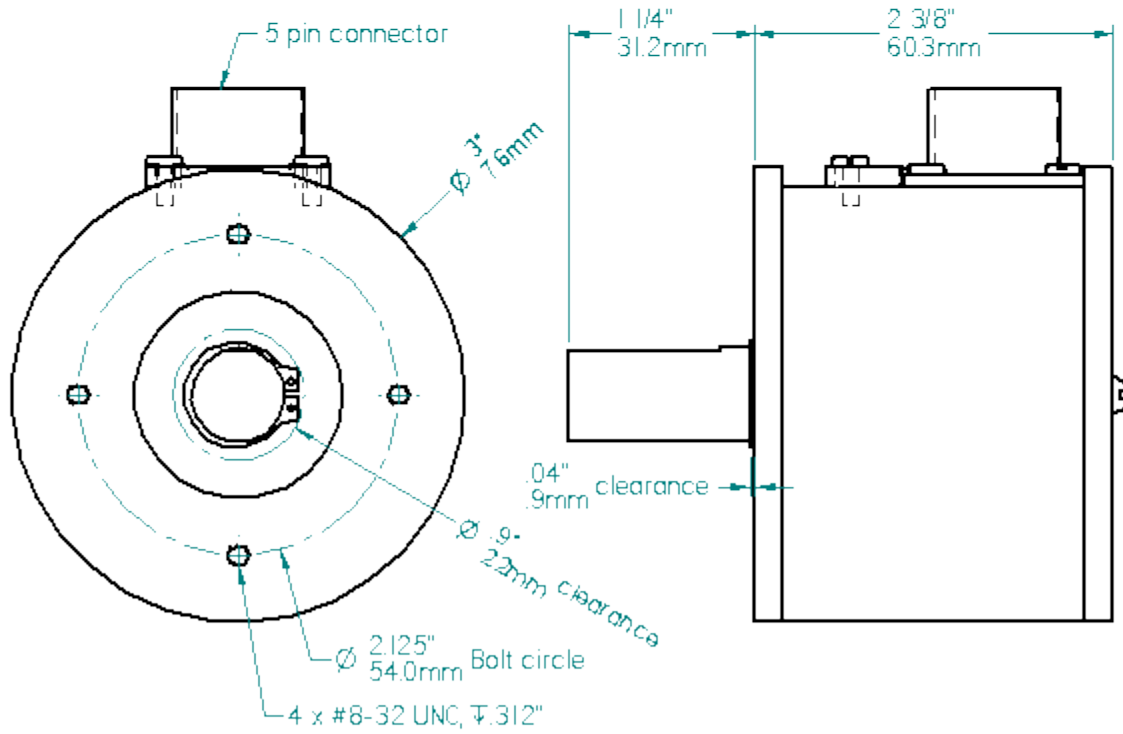
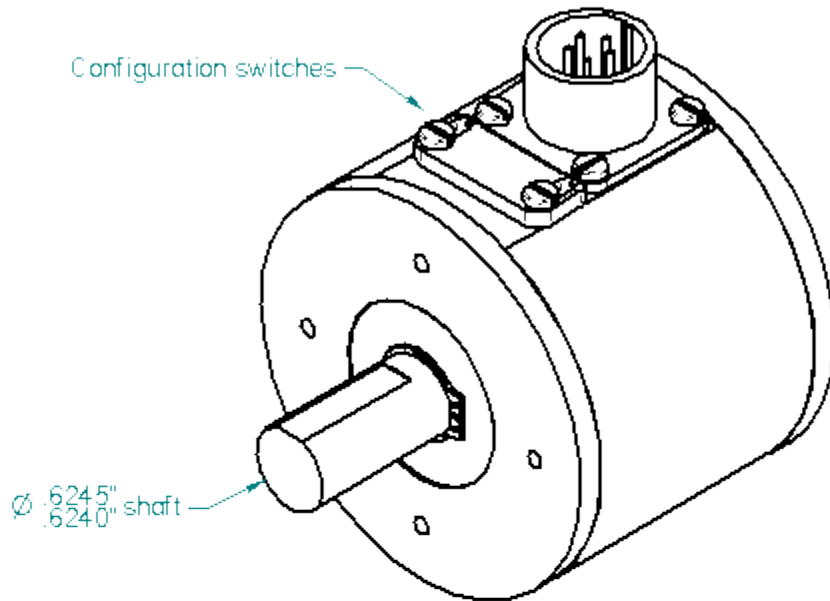
RL-P - 1/2" Shaft



MODEL RL-P

Programmable Heavy Duty Shaft Encoder

RL-P – 5/8" Shaft



MODEL RL-P

Programmable Heavy Duty Shaft Encoder

RL-P – 3/8-16 Threaded Shaft

