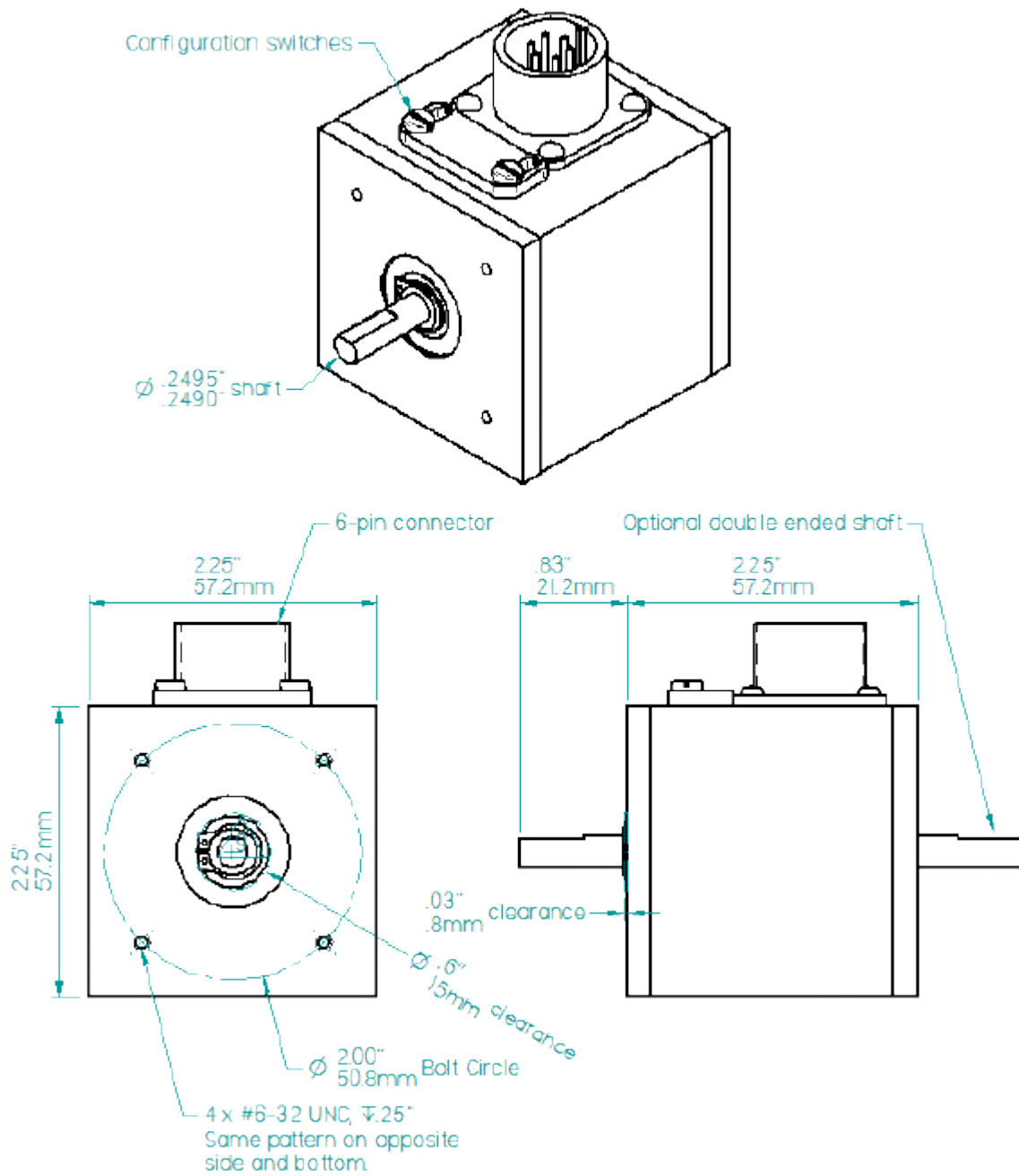
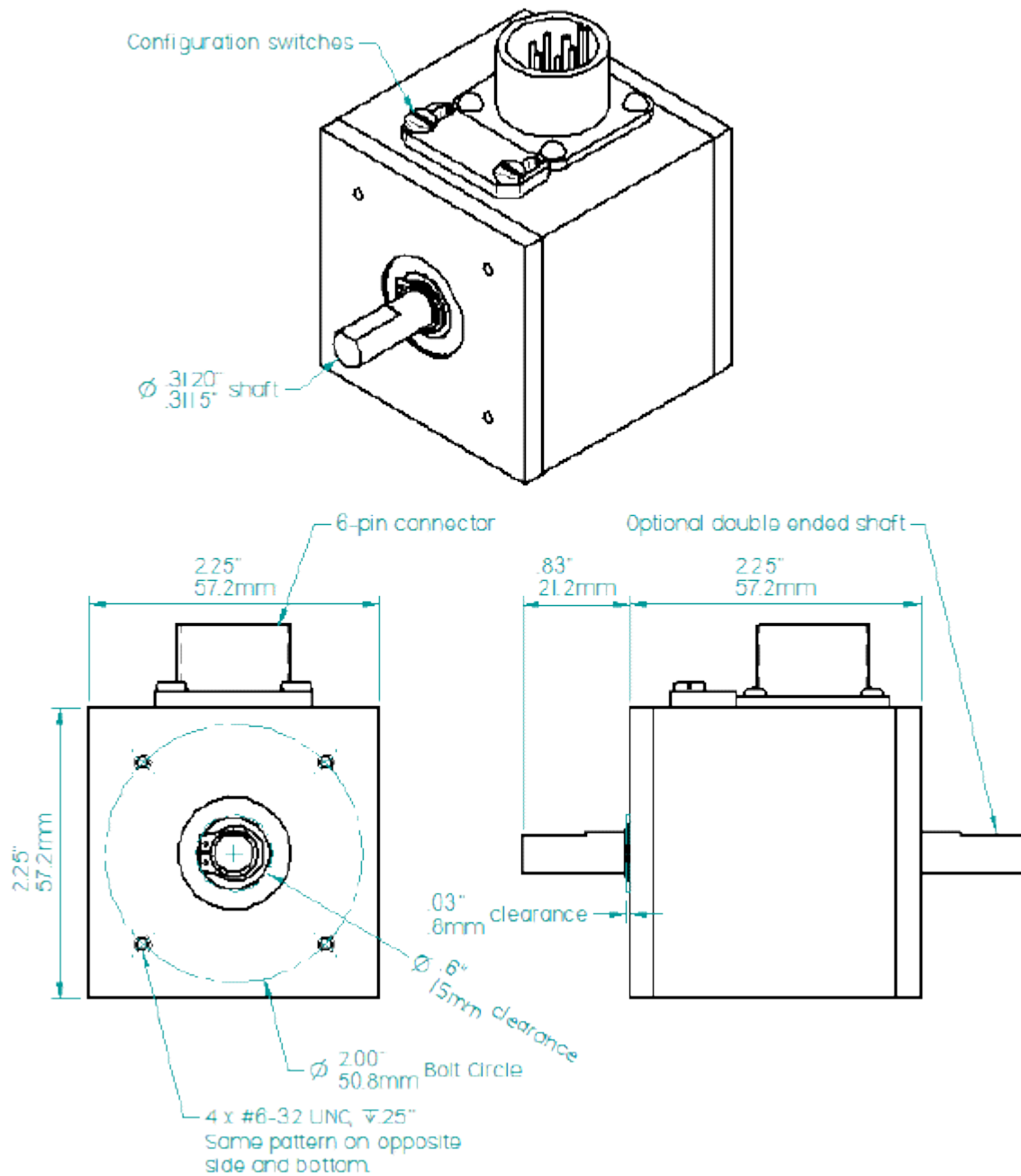


**RS-P – 1/4" Shaft**



**RS-P – 5/16" Shaft**





**RS-P - 1/2" Shaft**

