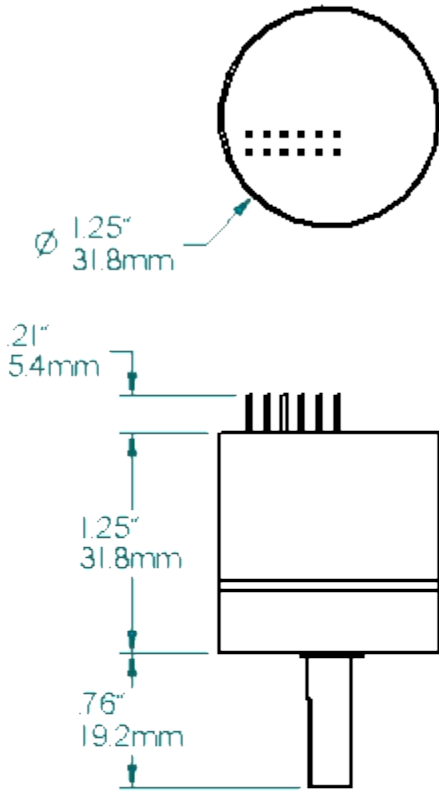


SR12 - Dimensions

Digital Parallel Output
uses 2x6 or 2x8
connector posts



Digital Serial Output
uses 5 position terminal
Analog output
uses 3 position terminal

