

Mini Label Eye Sensor

The **Mini Label Eye** is a special purpose gap or slot sensor optimized to sense adhesive labels adhering to a roll of backing paper. The MLE's specially designed optics greatly reduces sensitivity to web flutter. The high intensity IR LED penetrates thicker backing material and reduces temperature drift. The astonishing 35 microseconds allows the MLE to keep up with even the fastest high speed rewinders. This miniature sensor can fit into many small spaces at only 10mm wide. The fork design with intergrated bracket keeps mounting easy. The oversize Status Indicator can be seen even from a distance away.

Installation Manual

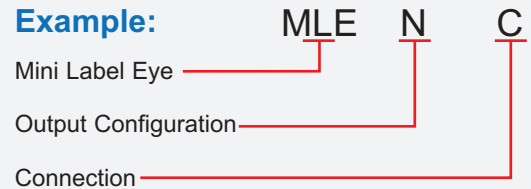


How to Specify

1. Select Sensor: MLE
Mini Label Eye

2. Select Output Configuration
P = PNP
N = NPN
L = NPN/PNP

3. Select Connection:
Blank = 6.5ft (2.0m) Cable
C = M8, 4-Pin Male



Features

AUTOSET

1. Hold (one second) for AUTOSET.
2. Tap to adjust threshold (+).

LT/DK

1. Hold to toggle between Light On (LT) or Dark ON (DK).
2. Tap to adjust threshold (-).

THREE WAY OUTPUT INDICATOR

1. RED when output is ON.
2. GREEN when output is OFF.
3. AMBER during AUTOSET.

CONNECTION

M8, 4-Pin 4-pin connector or built-in 6.5ft (2m) cable.



Quick Start

1. OR **Power Up**

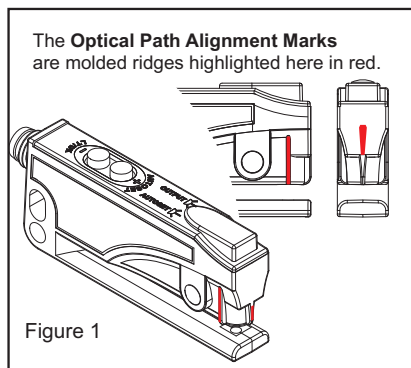
Indicator illuminates (green or red) on power up.

2. Place the gap between labels in sensor's view using the **Optical Path Alignment Guides** (see Figure 1).
Tip: If the gap is difficult to work with, try removing a label.

3. With the gap in view, press and hold AUTOSET. Indicator turns amber, then back to red or green. Indicator flashes red/green with insufficient signal.

4. Adjust threshold if necessary.

5. Hold LT/DK to toggle Light On / Dark On.



Specifications

SUPPLY VOLTAGE

- 4.75 to 30Vdc
- Polarity Protected

Note: For use in Class 2 Circuits

CURRENT REQUIREMENTS

- 18 milliamps (exclusive of load)

OUTPUT TRANSISTORS

- (1) NPN and/or (1) PNP (depending on model)
- Outputs sink or source up to 120 milliamps (current limit)
- All outputs are continuously short circuit protected

REMOTE SET INPUT

- Active high (PNP) or active low (NPN), depending on model (1ma)
- Transient spike protected

Note: Input not available on "L" models

RESPONSE TIME

- 35 microseconds

LED LIGHT SOURCE

- High Intensity IR LED

AMBIENT TEMPERATURE

- -40°C to 70°C (-40°F to 158°F)

PUSH BUTTON CONTROL

- One push AUTOSET
- LT/DK inverts output
- Adjust threshold (+ or -)

HYSTERESIS

- 5%

LIGHT IMMUNITY

- Responds to sensor's pulsed modulated light source, resulting in high immunity to most ambient light

INDICATOR

- (GREEN or RED) to indicate power is on.
 - AMBER during AUTOSET.
 - RED when sensor's output transistors are ON, and GREEN when they are OFF.
- Note: Flashes RED when a short circuit condition exists.

CONNECTIONS

- M8, 4-pin
- Attached cable: 4-wire 6.5ft (2.0m)

HOUSING CONSTRUCTION

- Top lid: polycarbonate
- Output window: ABS
- Case: 50% glass filled nylon
- Buttons: silicon rubber

RATINGS AND CERTIFICATIONS

- IP65
- CE
- UL pending



RoHS Compliant

Product subject to change without notice

Accessories



GEC-6
4-Pin 6ft (1.8m) Cable

GEC-15
4-Pin 15ft (4.6m) Cable

GEC-25
4-Pin 25ft (7.6m) Cable

Connections and Dimensions

Mini Label Eye Sensor

