

LABEL•EYE Set-Up Instructions

Standard LABEL•EYE

Normal Label Opacity AUTOSET Button

This category includes most paper or metallized film labels adhering to paper or transparent backing materials. To implement the one button AUTOSET routine, utilize the external alignment guides to position the gap between labels in line with the dot shown in the center of the detection zone. Then push the AUTOSET button marked "Normal."

An alternative set up procedure would be to remove a label and the push the "Normal" AUTOSET button.

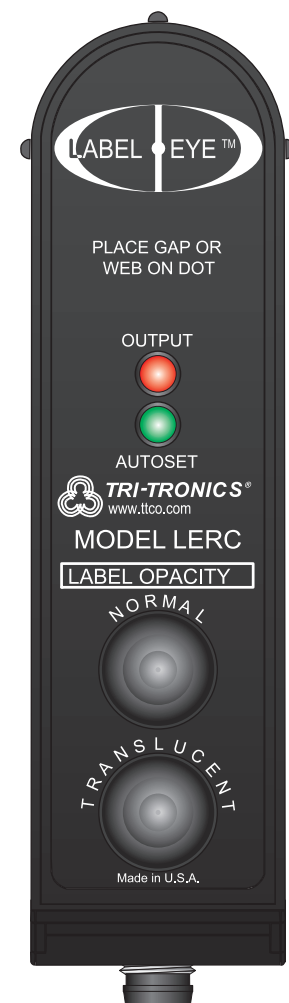
On rare occasions, when the light is unable to penetrate the backing materials, both the red and green led indicators will blink four times. When this indication occurs, the sensor will be unable to detect the presence of the labels.

Translucent Label Opacity AUTOSET Button

This category includes translucent labels adhering to transparent or paper backing materials. To implement the one button AUTOSET routine, utilize the external alignment guides to position the gap between labels in line with the dot shown in the center of the detection zone. Then push the AUTOSET button marked "Translucent".

Note: This sensor cannot detect transparent labels.

INVERT OUTPUT: The status of the red LED and output transistors can be inverted by pressing both buttons simultaneously. When the output status has been inverted, the red LED and the output transistors will turn off when the label comes into view.



SPECIFICATIONS



SUPPLY VOLTAGE

- 10 to 30Vdc
- Polarity Protected
- Intended for use in class two circuits

CURRENT REQUIREMENTS

- 45 milliamps (exclusive of load)

OUTPUT TRANSISTORS

- (1) NPN and (1) PNP output transistors
- Sensor outputs can sink or source up to 150 milliamps (current limit)
- All outputs are continuously short circuit protected

REMOTE AUTOSET INPUT

- opto isolated momentary sinking input (10 milliamps)
- Note: Remote models only*

RESPONSE TIME

- Light state response = 100 microseconds
- Dark state response = 100 microseconds

LED LIGHT SOURCE

- High intensity red LED
- Pulse modulated

PUSH BUTTON CONTROL

- Automatic set-up routines based on web opacity
- One push button set-up
- Simultaneously pushing both buttons inverts the output

HYSTERESIS

- Minimal hysteresis promotes the detection between the backing material and the label depending on the settings

LIGHT IMMUNITY

- Responds to sensor's pulsed modulated light source ... immune to most ambient light

INDICATORS

- Green LED flashes when AUTOSET routine is activated and stays illuminated when AUTOSET is completed
 - Red LED illuminates when sensors output transistors are ON.
- Note: The status of the output transistors can be inverted by pushing both buttons simultaneously. If Output LED flashes, a short circuit condition exists.*

AMBIENT TEMPERATURE

- -40°C to 70°C (-40°F to 158°F)

RUGGED CONSTRUCTION

- Chemical resistance to harsh cleaners such as detergents, alcohols, and ketones
- Type 1 Enclosure
- Conforms to heavy industry grade CE and UL requirements



RoHS Compliant
Product subject to change without notice.

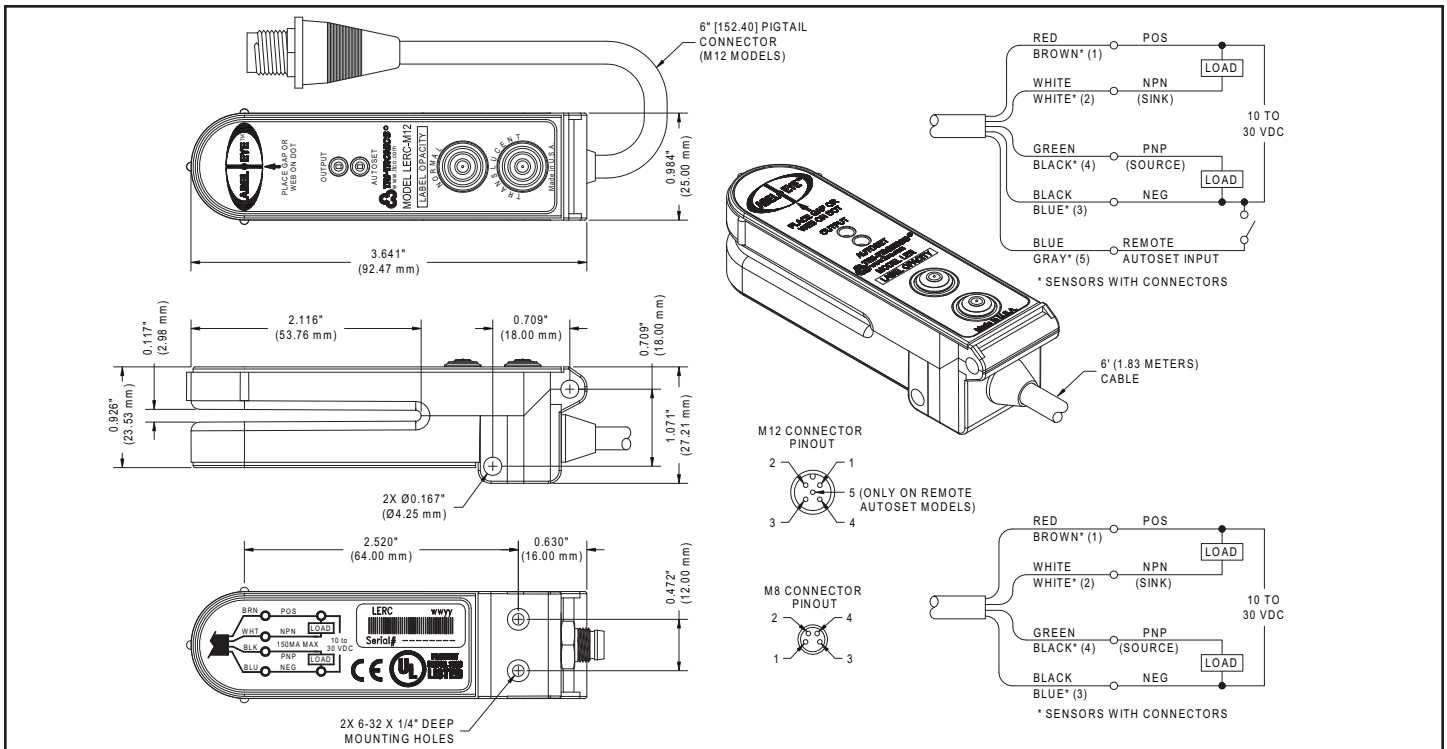
Model Numbers:

Label•Eye	Description
LER	Red LED, 4 Conductor 6ft Cable
LERC	Red LED, 4-pin M8 Connector
LERR	Red LED, 5 Conductor, 6ft Cable
LERRC-M12	Red LED, 5-Pin M12 Pigtail Connector
LERC-M12	Red LED, 4-Pin M12 Pigtail Connector

Nano Cable (M8) Selection Guide

P/N	Length	Thread Coupling
GEC-6	6ft (1.8m)	Straight Female
GEC-15	15ft (4.6m)	Straight Female
RGEC-6	6ft (1.8m)	90° Female
RGEC-15	15ft (4.6m)	90° Female

DIMENSIONS



P.O. BOX 25135, TAMPA, FL 33622-5135
813-886-4000 / 800-237-0946
tco.com / info@tco.com

070-0150 Rev 5